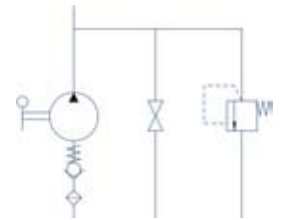
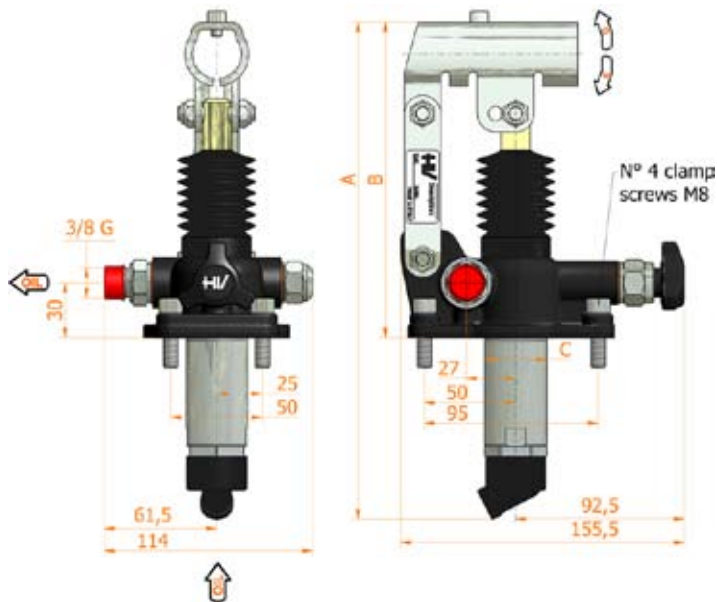
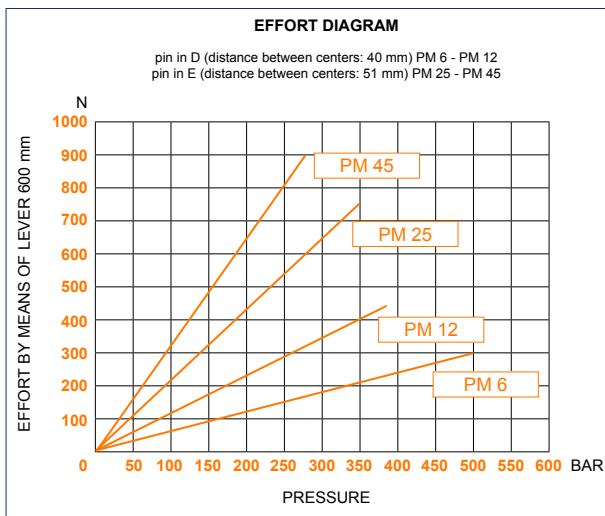


# PM 6-12-25-45 byB-s

with release hand knob  
with pressure relief valve



double acting hand pump for single acting cylinder  
for fixing to tank



**Specifications:**

- Piston treated with Niploy
- Lever connection Ø 27
- Standard colour **black**
- Mounting kit and seals **included**
- Pressure relief valve standard setting: **100 bar**

DISPLACEMENT cm <sup>3</sup>	A mm	B mm	C mm	D °	E °	ACTUAL DISPLACEMENT cm <sup>3</sup>	PRESSURE BAR		MASS KG	CODE WITHOUT BELLOWS	CODE WITH BELLOWS	L
							WORK P.	MAX				
6	253	166	34	26	31	6,970	450	500	2,900	6049.0109	6049.0117	
12	253	166	34	26	31	12,095	320	380	2,900	6050.0109	6050.0117	
25	273	172	34	30	30	25,280	280	350	2,950	6051.0109	6051.0117	
45	283	172	40	45	33	44,532	220	280	3,000	6052.0109	6052.0117	