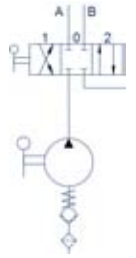
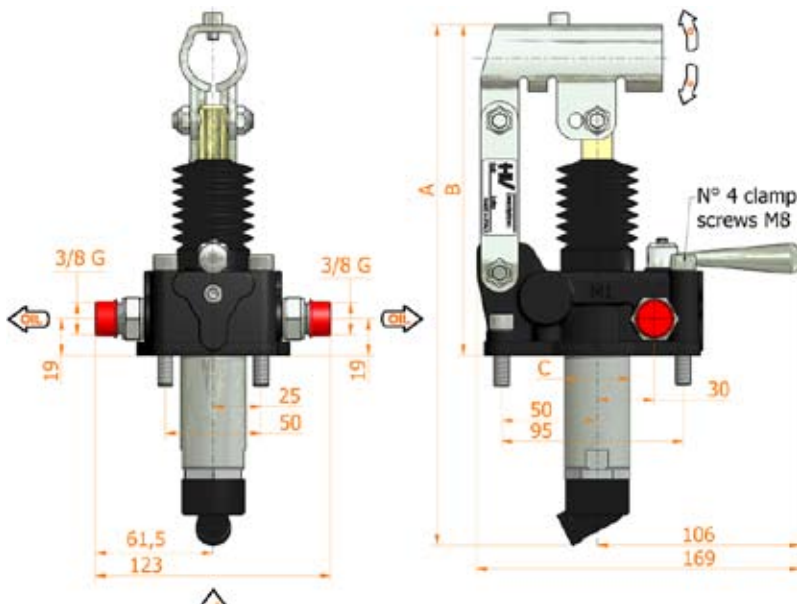
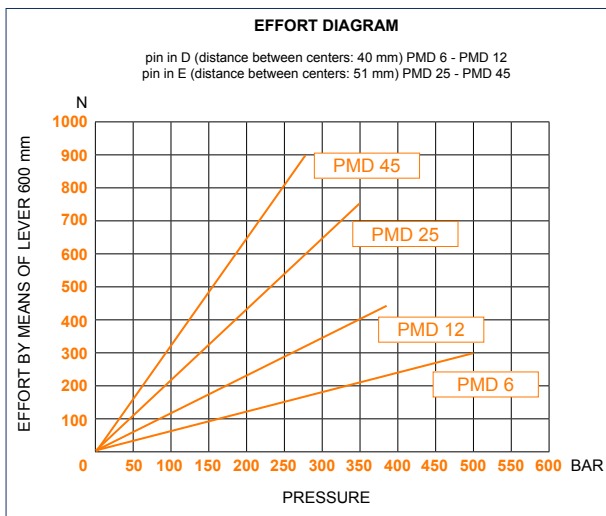


PMD 6-12-25-45 s

with 4/3 flow divider closed centre



double acting hand pump for a double acting cylinder
for fixing to tank



Specifications:

- Piston treated with Niploy
- Lever connection Ø 27
- Standard colour **black**
- Mounting kit and seals **included**

DISPLACEMENT cm ³	A mm	B mm	C mm	D °	E °	ACTUAL DISPLACEMENT cm ³	PRESSURE BAR		MASS KG	CODE WITHOUT BELLOWS	CODE WITH BELLOWS	L
							WORK P.	MAX				
6	253	166	34	26	31	6,970	450	500	3,400	6054.0018	6054.0045	
12	253	166	34	26	31	12,095	320	380	3,400	6055.0018	6055.0045	
25	273	172	34	30	30	25,280	280	350	3,450	6056.0018	6056.0045	
45	283	172	40	45	33	44,532	220	280	3,500	6057.0018	6057.0045	