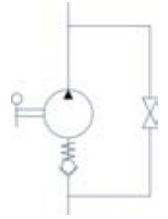
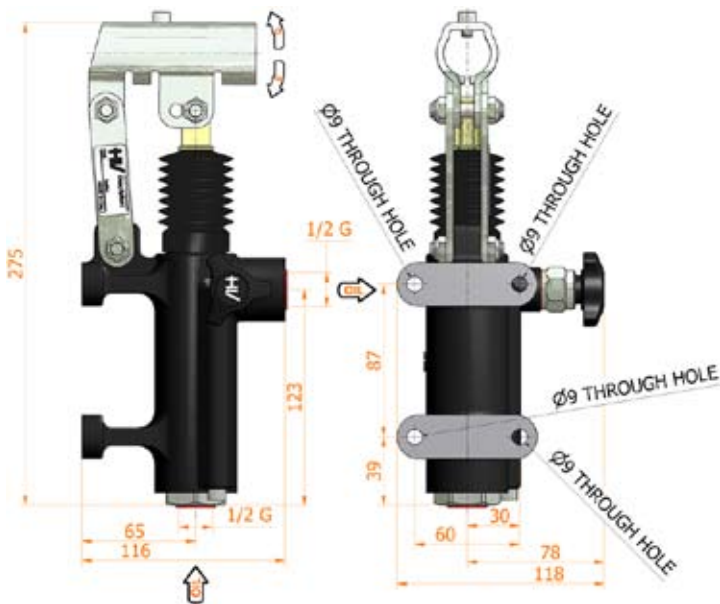
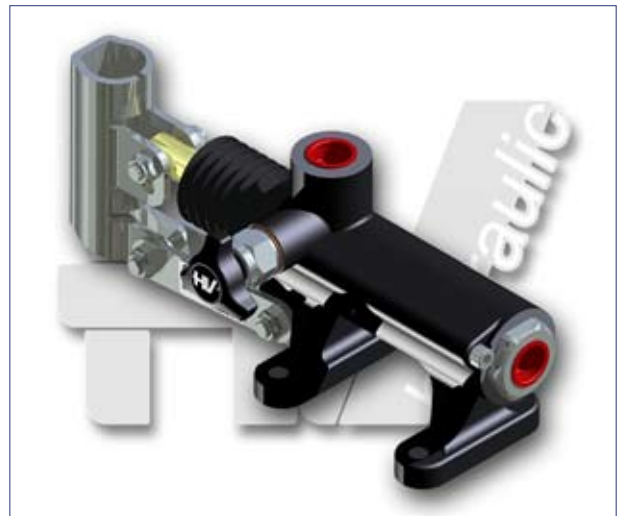
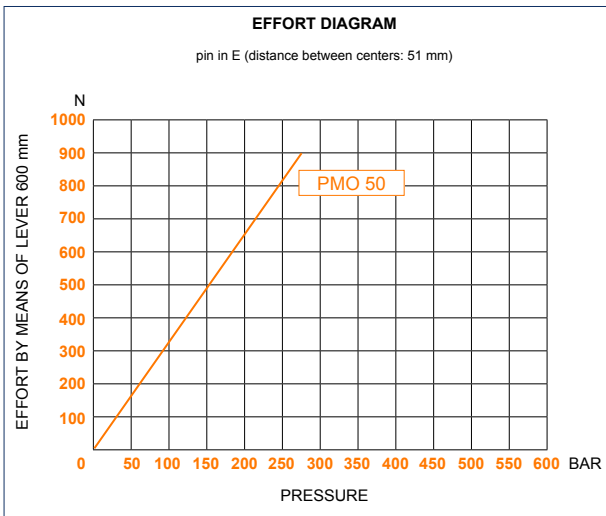


# PMO 50 s

with release hand knob



double acting hand pump for single acting cylinder  
for fixing to wall



**Specifications:**

- Piston treated with Niploy
- Lever connection  $\varnothing 27$
- Standard colour **black**

DISPLACEMENT cm <sup>3</sup>	A mm	B mm	C mm	D °	E °	ACTUAL DISPLACEMENT cm <sup>3</sup>	PRESSURE BAR		MASS KG	CODE WITHOUT BELLOWS	CODE WITH BELLOWS	L
							WORK P.	MAX				
50	-	-	-	38	37	43,825	220	280	3,400	6077.0005	6077.0032	