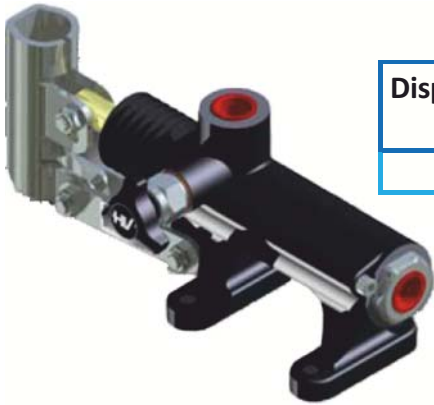


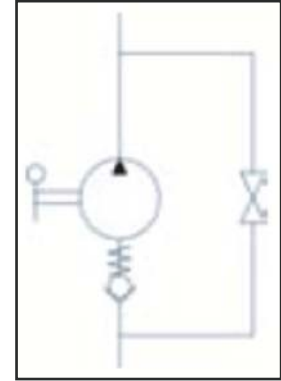
LOW PRESSURE HAND PUMPS

PT Hydraulics Australia is pleased to add further quality products to our extensive Fluid Power range. Imported from Italy the new double acting hand pump and steel tank are suitable for a range of applications in industrial, agricultural and transport fields. Tanks to suit all PT Hydraulics Low Pressure Hand Pumps are available in 3L, 5L and 7L capacities.

PMO50-S



Displacement cm ³	Pressure Bar		Weight KG
	Work P.	Max P.	
50	220	280	3.4

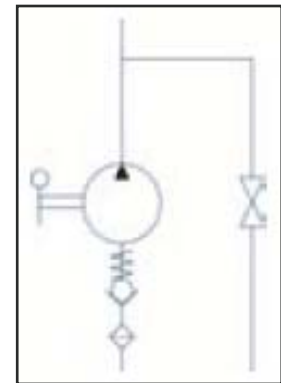


Double Acting hand pump with simple release knob for use with Single Acting Cylinders

PM6-S PM25-S PM45-S



Displacement cm ³	Pressure Bar		Weight KG
	Work P.	Max P.	
6	450	500	3
25	280	350	3
45	220	280	3

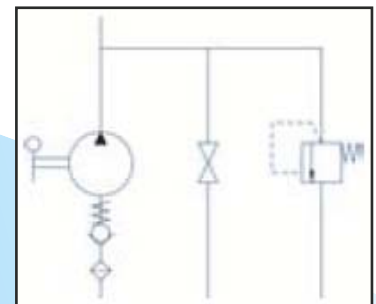


Double Acting hand pump with release hand knob for use with Single Acting Cylinders

Pm12 BYB-S PM45 BYB-S



Displacement cm ³	Pressure Bar		Weight KG
	Work P.	Max P.	
12	320	380	3
45	220	280	3

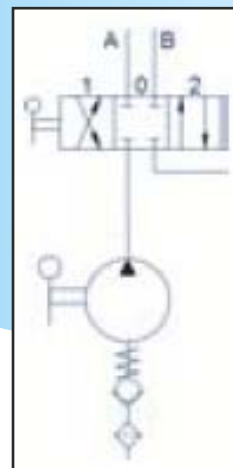


Double Acting hand pump with release hand knob and relief valve for use with Single Acting Cylinders

PMD12-S PMD45-S



Displacement cm ³	Pressure Bar		Weight KG
	Work P.	Max P.	
12	320	380	3.4
45	220	280	3.5

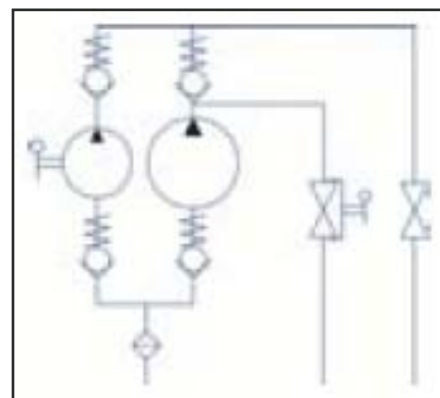


Double Acting Hand Pump with 4/3 Closed Centre Valve for use with Double Acting Cylinders

PM2V 5-80 LM-S



Displacement cm ³	Pressure Bar		Weight KG
	Stage 1	Stage 2	
5 - 80	20	500	6.2



Two Speed Hand Pump with release hand knob and exclusion lever for first speed, for use with Single Acting Cylinders

FURTHER CONFIGURATIONS AVAILABLE

**For more information
please contact
PT Hydraulics Australia**



PT Hydraulics Australia Pty Ltd

19 Ricketts Road

Mt Waverley, VIC, 3149

Phone: 03 9562 8800

Fax: 03 9562 8080

sales@pthydraulics.com.au

www.pthydraulics.com.au

FLUID POWER COMPONENTS