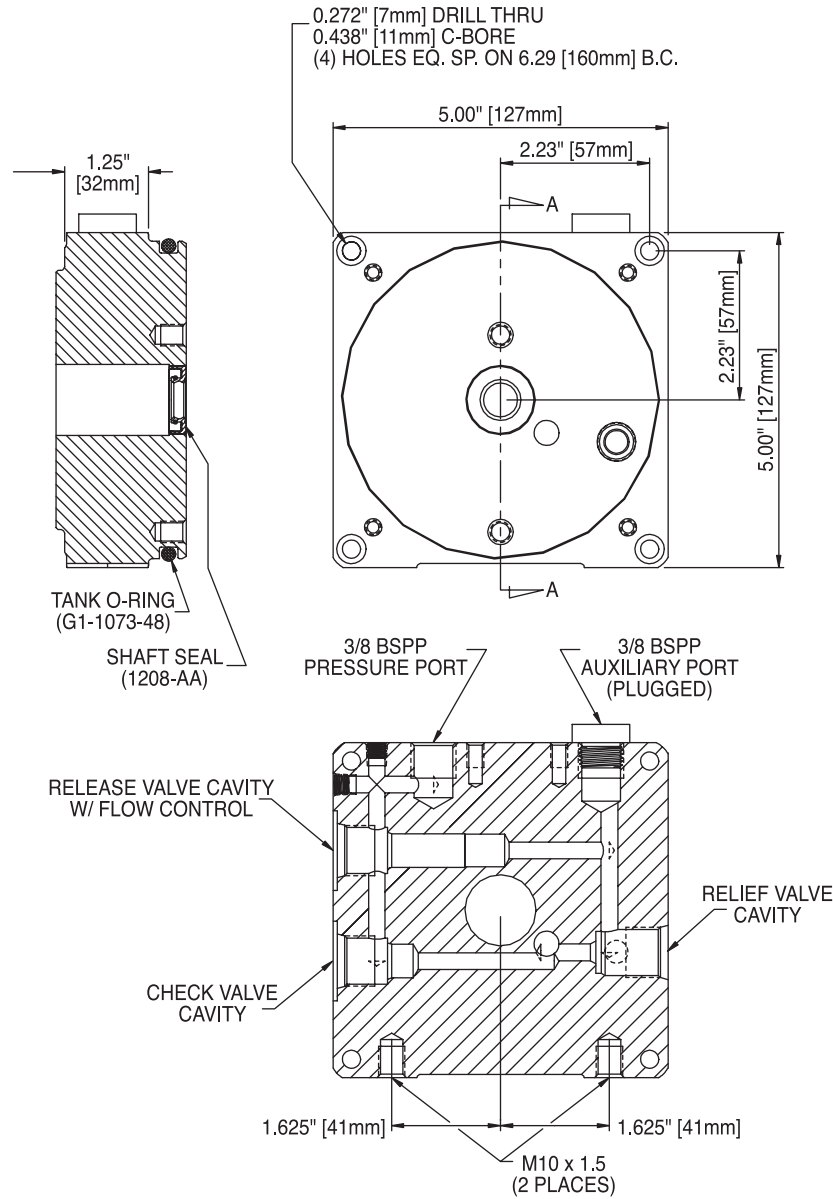


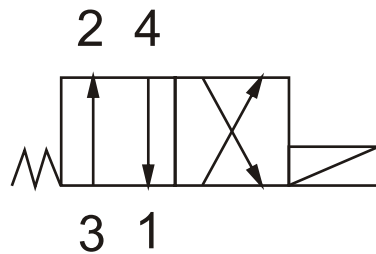
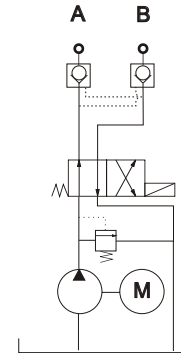
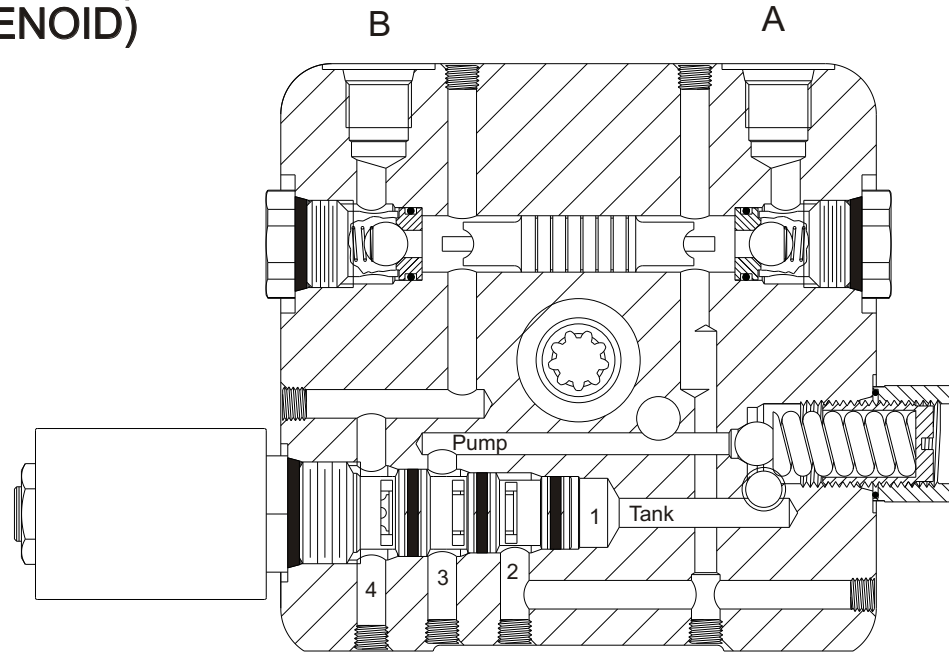
ENDHEAD METRIC FOOTMOUNTS BSPP PORTS




VALVE SETS FOR K-201 ENDHEAD

E1-1021-01 (12 VOLT SOLENOID)

E1-1021-03 (24 VOLT SOLENOID)



<p>THE PROFESSIONAL TEAM</p>  <p>PT HYDRAULICSAUSTRALIA PTY LIMITED</p> <p>PT Hydraulics P/L ACN 102 819 401 28 Clayton Rd, Notting Hill VIC 3168 Ph +61 3 9562 8800 Fax +61 3 9562 8080 www.pthydraulics.com.au</p>	<p>TITLE</p> <p>K-201 Double acting endhead</p>		
	<p>Drawn DC</p> <p>Scale NTS</p>	<p>Date 22/04/08</p>	<p>Checked</p> <p>Dwg. Number</p>