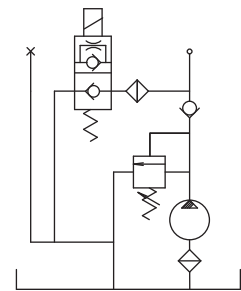
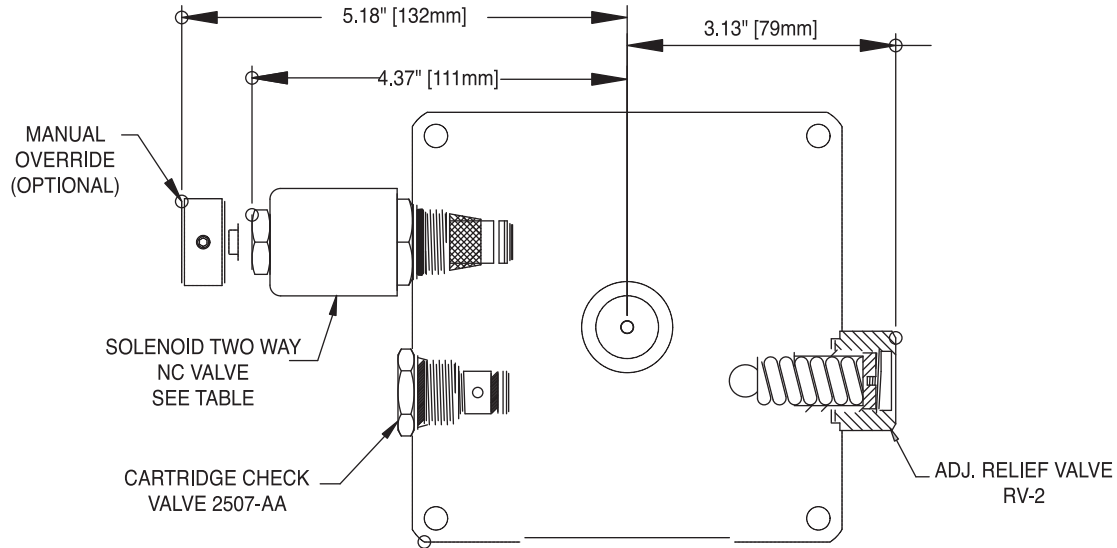


RELIEF, CHECK, SOLENOID RELEASE VALVE KIT



INTEGRAL VALVES

KIT NO.	COIL VOLTAGE	CONNECTION STYLE	HANDSETS
KC01A	12V DC	DIN/Hirschmann	
KC01B	12V DC	Dual 1/4" Spade	
KC01C	12V DC	Single # 10 UNF Stud	*
KC01D	24V DC	DIN/Hirschmann	
KC01E	24V DC	Dual 1/4" Spade	
KC01F	24V DC	Single # 10 UNF Stud	*

KIT NO.	COIL VOLTAGE	CONNECTION STYLE	HANDSETS
KC01G	24V AC	DIN/Hirschmann	
KC01H	230V AC	DIN/Hirschmann	
KC01J	115V AC	DIN/Hirschmann	
KC01K	12V AC	Smart Start	**
KC01L	24V AC	Smart Start	**

Kit includes 4 color-coded relief springs as follows: Blue (500-1000 PSI) [34.5-69 Bar], Green (1000-2000 PSI)[69-138 Bar], Red (2000-3000 PSI)[138-207 Bar], Black (3000-4000 PSI)[207-276 Bar].

Optional: (4000-5000 PSI)[276-345 Bar] Relief valve kit available, order part no. K-175.

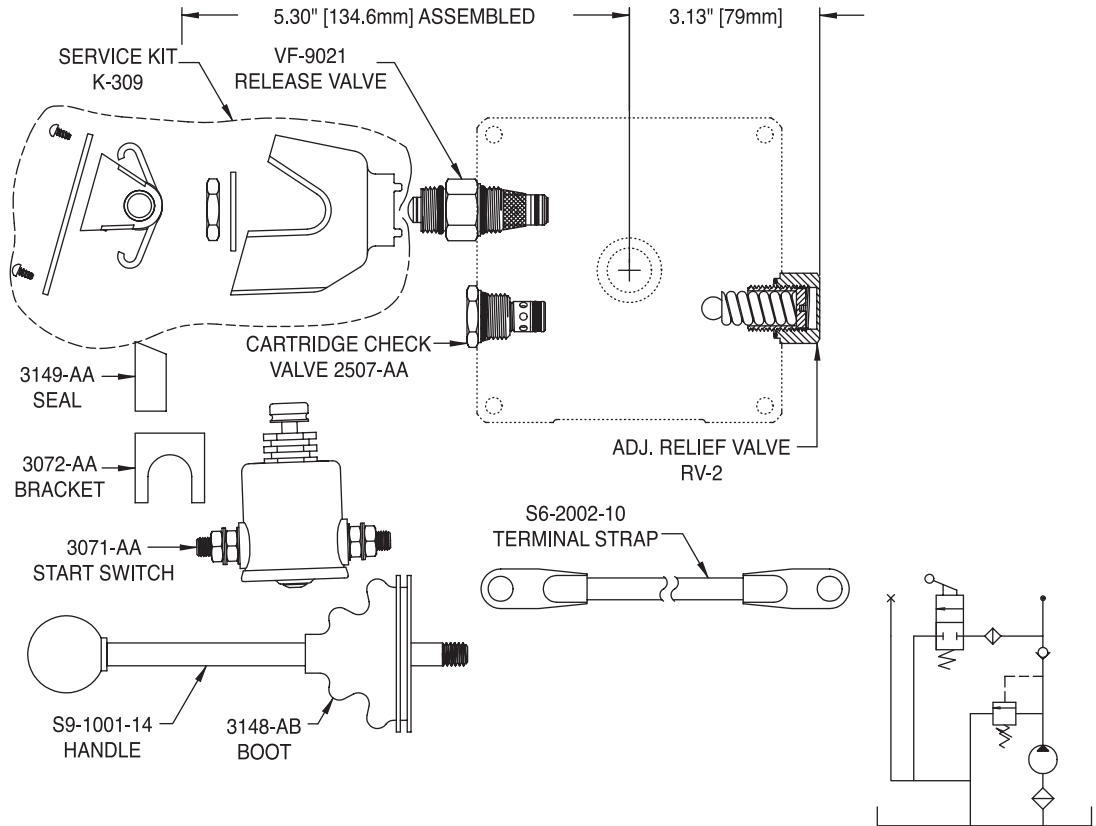
Optional: Order JF-0048 spring locator when using the blue (500-1000 PSI) [34.5-69 Bar] spring.

Remote cord set available, for styles: * Order KG11 ** Order KG11A.

If using smart start with stud terminal coil, order 4088-AB.

KC03

RELIEF, CHECK, MANUAL RELEASE VALVE KIT DIRECT ACTING



Kit includes 4 color-coded relief springs as follows: Blue (500-1000 PSI) [34.5-69 Bar], Green (1000-2000 PSI)[69-138 Bar], Red (2000-3000 PSI)[138-207 Bar], Black (3000-4000 PSI)[207-276 Bar].

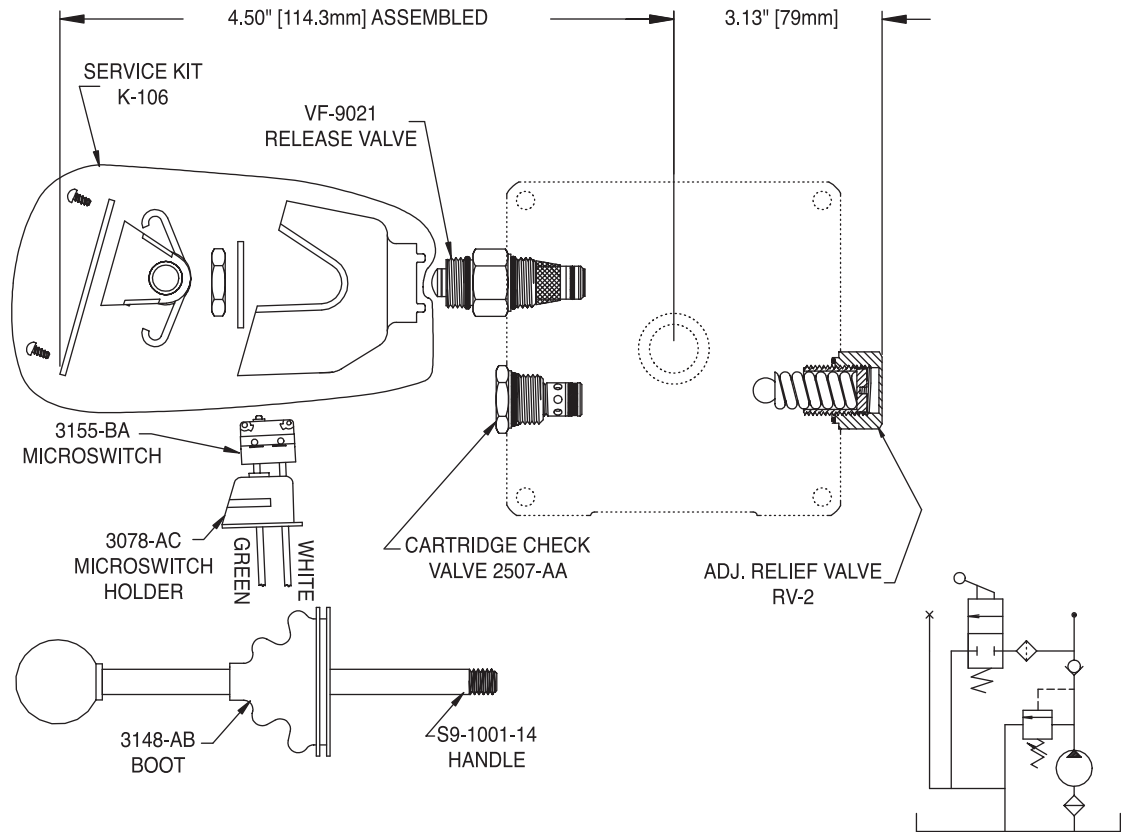
Optional: (4000-5000 PSI)[276-345 Bar] Relief valve kit available, order part no. K-175.

Optional: Order JF-0048 spring locator when using the blue (500-1000 PSI) [34.5-69 Bar] spring.

Release bracket may be rotated in 90° Increments at assembly.

Can be used with 12V or 24V DC power units.

RELIEF, CHECK, MANUAL RELEASE VALVE KIT WITH MICRO-SWITCH



INTEGRAL VALVES

Kit includes 4 color-coded relief springs as follows: Blue (500-1000 PSI) [34.5-69 Bar], Green (1000-2000 PSI)[69-138 Bar], Red (2000-3000 PSI)[138-207 Bar], Black (3000-4000 PSI)[207-276 Bar].

Optional: (4000-5000 PSI)[276-345 Bar] Relief valve kit available, order part no. K-175.

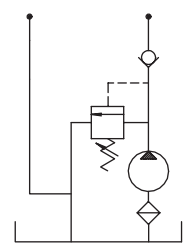
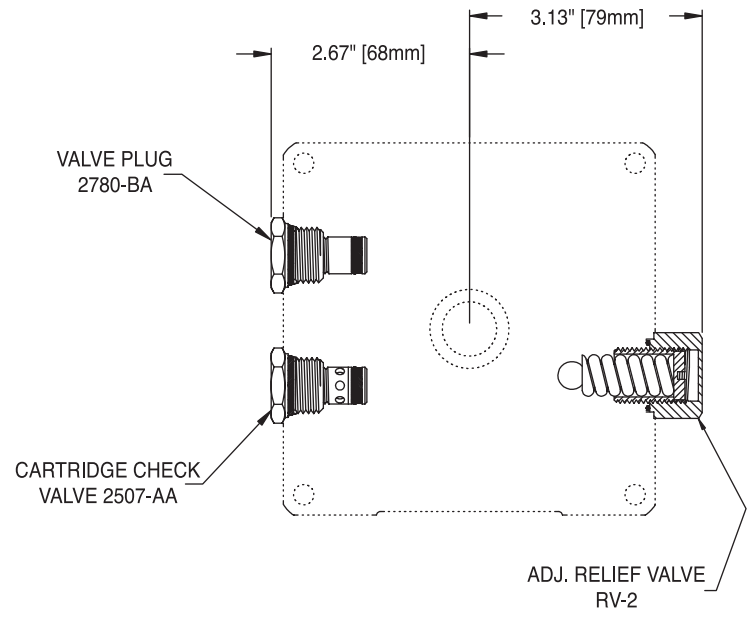
Optional: Order JF-0048 spring locator when using the blue (500-1000 PSI) [34.5-69 Bar] spring.

Release bracket may be rotated in 90° increments at assembly.

For use with KS_ (DC application) or customer applied motor contactor (AC application).

KC07

RELIEF & CHECK VALVE KIT

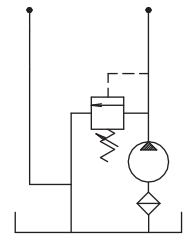
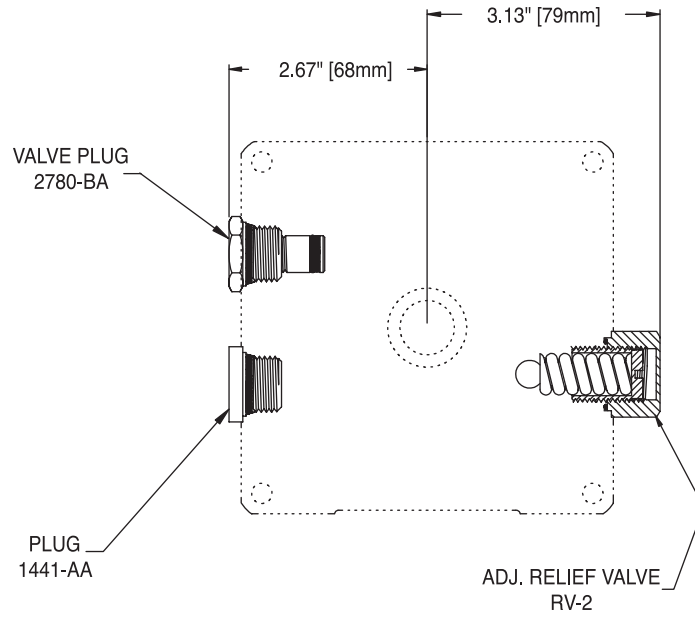


Kit includes 4 color-coded relief springs as follows: Blue (500-1000 PSI) [34.5-69 Bar], Green (1000-2000 PSI)[69-138 Bar], Red (2000-3000 PSI)[138-207 Bar], Black (3000-4000 PSI)[207-276 Bar].

Optional: (4000-5000 PSI)[276-345 Bar] Relief valve kit available, order part no. K-175.

Optional: order JF-0048 spring locator when using the blue (500-1000 PSI) [34.5-69 Bar] spring.

RELIEF VALVE KIT

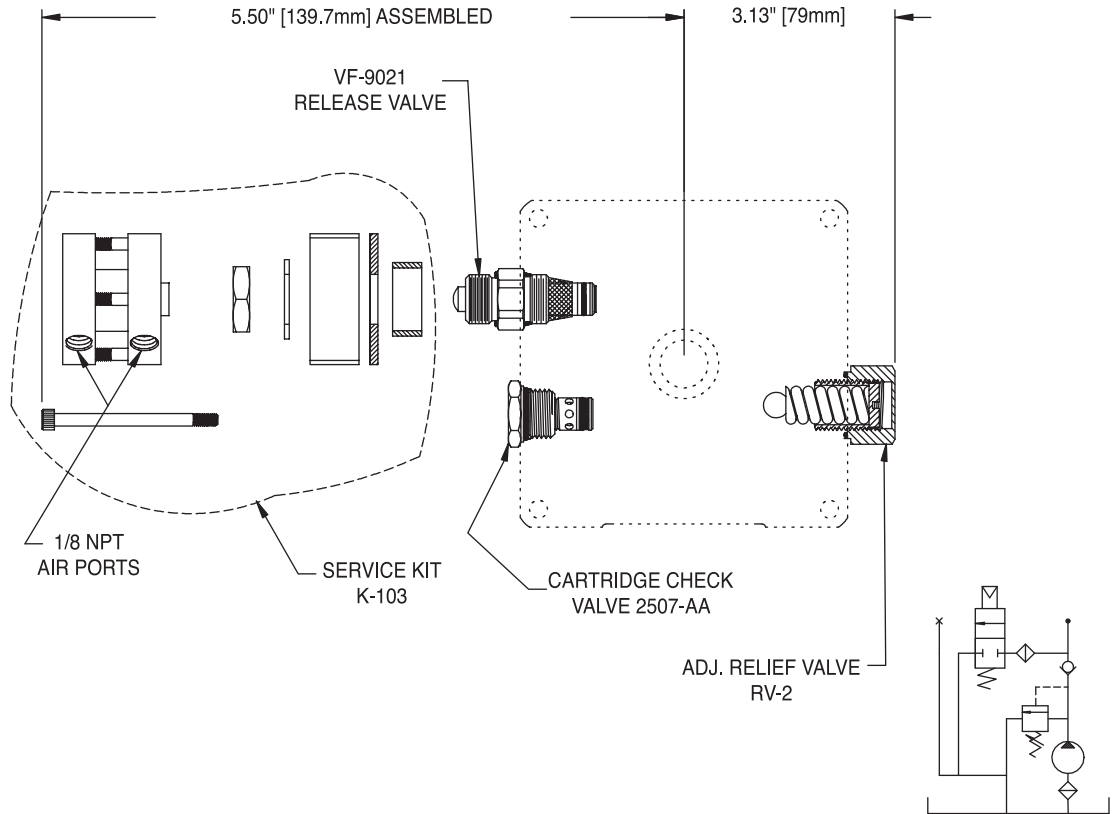


Kit includes 4 color-coded relief springs as follows: Blue (500-1000 PSI) [34.5-69 Bar], Green (1000-2000 PSI)[69-138 Bar], Red (2000-3000 PSI)[138-207 Bar], Black (3000-4000 PSI)[207-276 Bar].

Optional: (4000-5000 PSI)[276-345 Bar] Relief valve kit available, order part no. K-175.

Optional: order JF-0048 spring locator when using the blue (500-1000 PSI) [34.5-69 Bar] spring.

RELIEF, CHECK PNEUMATIC RELEASE VALVE KIT



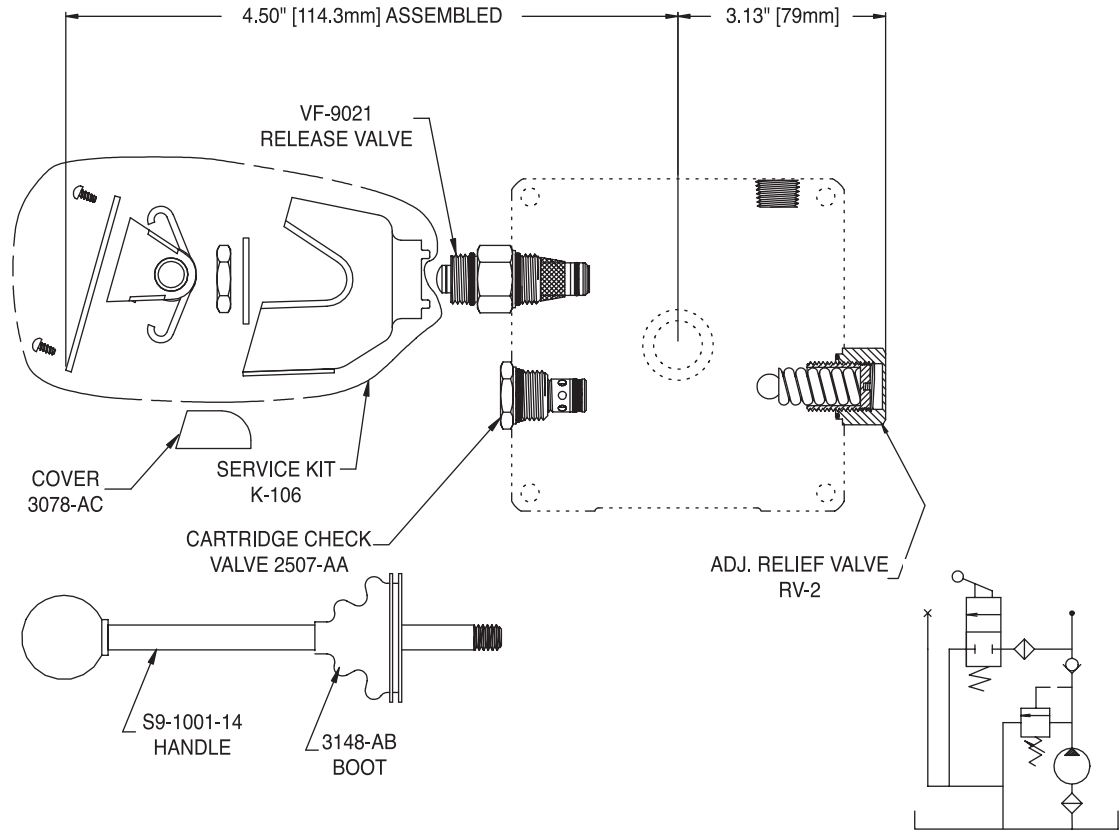
Kit includes 4 color-coded relief springs as follows: Blue (500-1000 PSI) [34.5-69 Bar], Green (1000-2000 PSI)[69-138 Bar], Red (2000-3000 PSI)[138-207 Bar], Black (3000-4000 PSI)[207-276 Bar].

Optional: (4000-5000 PSI)[276-345 Bar] Relief valve kit available, order part no. K-175.

Optional: order JF-0048 spring locator when using the blue (500-1000 PSI) [34.5-69 Bar] spring.

Valve is rated to release at 3000 PSI. Max. at 90 PSI air pressure.

RELIEF, CHECK MANUAL RELEASE VALVE KIT



Kit includes 4 color-coded relief springs as follows: Blue (500-1000 PSI) [34.5-69 Bar], Green (1000-2000 PSI)[69-138 Bar], Red (2000-3000 PSI)[138-207 Bar], Black (3000-4000 PSI)[207-276 Bar].

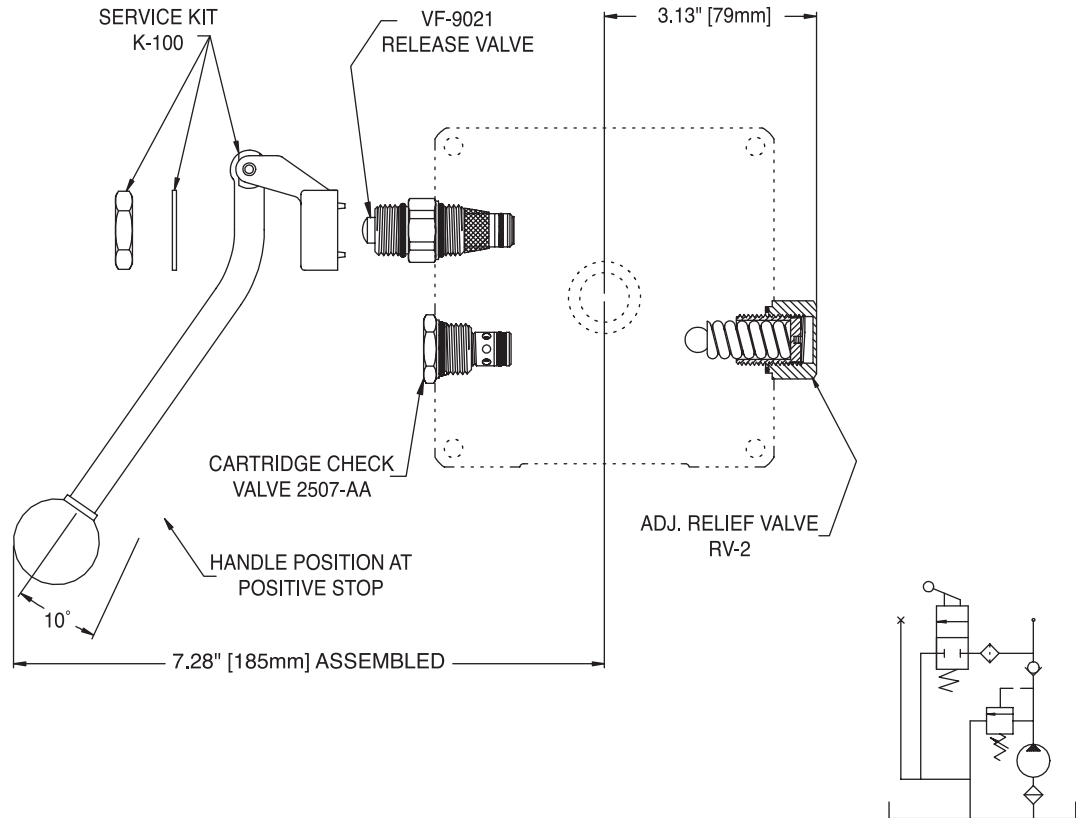
Optional: (4000-5000 PSI)[276-345 Bar] Relief valve kit available, order part no. K-175.

Optional: order JF-0048 spring locator when using the blue (500-1000 PSI) [34.5-69 Bar] spring.

Release bracket may be rotated in 90° increments at assembly.

KC18

RELIEF, CHECK & LEVER RELEASE VALVE KIT



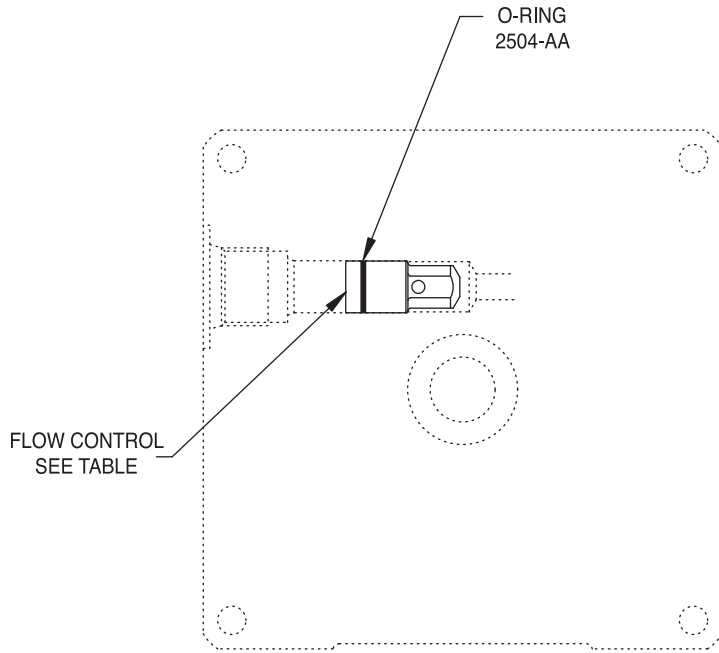
Kit includes 4 color-coded relief springs as follows: Blue (500-1000 PSI) [34.5-69 Bar], Green (1000-2000 PSI)[69-138 Bar], Red (2000-3000 PSI)[138-207 Bar], Black (3000-4000 PSI)[207-276 Bar].

Optional: (4000-5000 PSI)[276-345 Bar] Relief valve kit available, order part no. K-175.

Optional: order JF-0048 spring locator when using the blue (500-1000 PSI) [34.5-69 Bar] spring.

Release bracket may be rotated in 90° increments at assembly.

PRESSURE COMPENSATED FLOW CONTROL



Part No.	US GPM	Nominal Flow	LPM
KFC2	.5		1.9
KFC4	1.0		3.8
KFC6	1.5		5.7
KFC8	2.0		7.6

Metering accuracy typically $\pm 10\%$ if nominal flow.

May be used with any KC control valve except KC07 and KC08.

May be added to DC10 or DC20 Power Units.

For additional GPM requirements, contact Stone technical service.