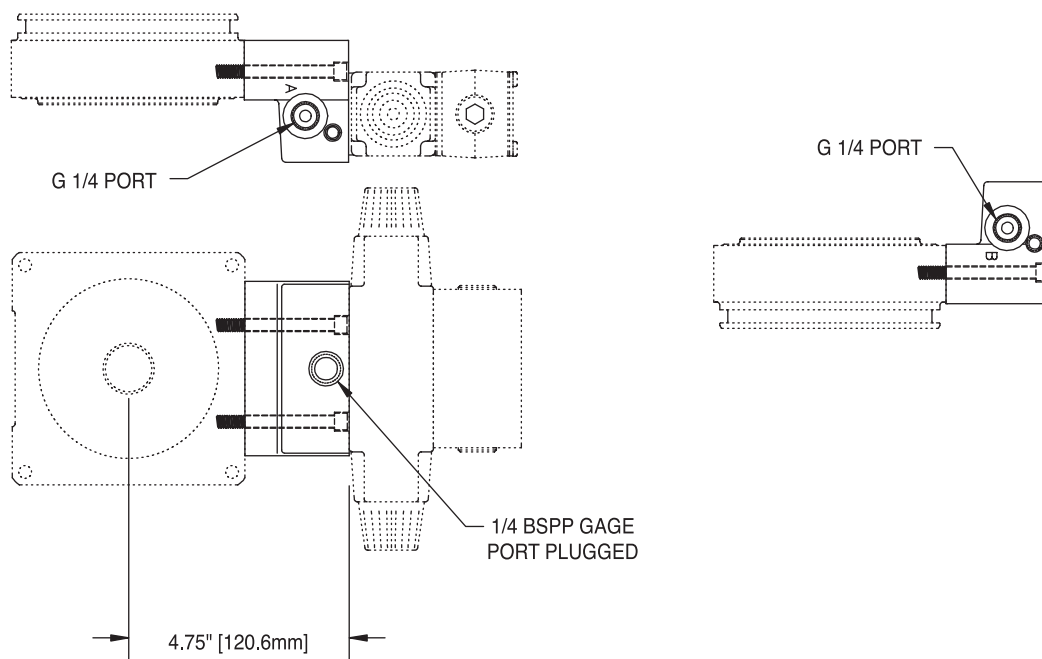


MANIFOLDS

KB10

SINGLE MANIFOLD BLOCK FOR D03 CETOP VALVE/BSPP PORTS



Kit includes all seals and mounting hardware.

CETOP valve not included.

Use M5 thread mounting bolts for valve.

Will allow only single D03 valve (not intended for multiple valve stacking) .

Use K-29 adaptor if needed for motor or tank clearance .




Distributed in Australia by
PT Hydraulics P/L
28 Clayton Rd
Notting Hill VIC 3168

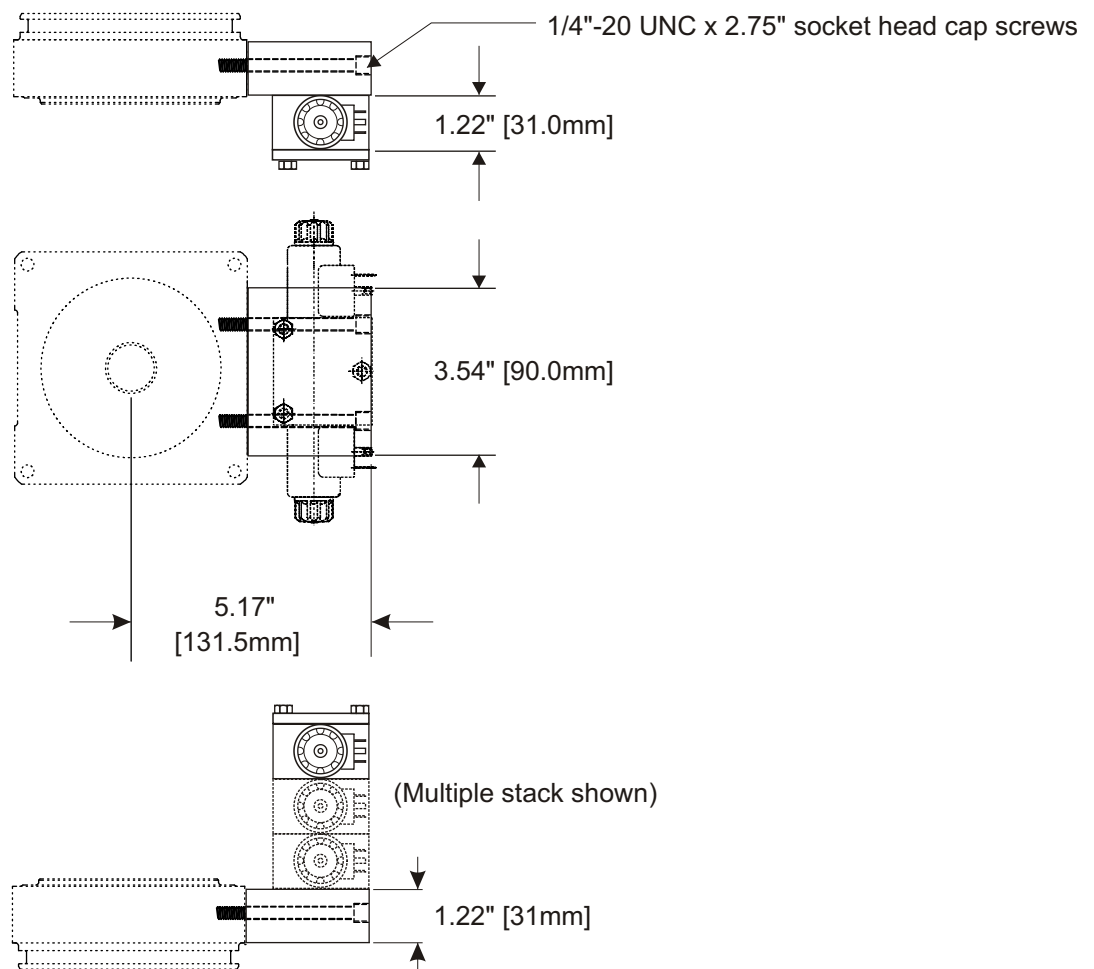
Ph. 03 9562 8800
Fax 03 9562 8080

Distributor Power unit Program

Internet address:
www.pthydraulics.com.au

Manifold Adaptor for HYTOS Sandwich valve series RPEK

-  KIT INCLUDES ALL SEALS AND MOUNTING HARDWARE.
-  HYTOS VALVE NOT INCLUDED.
-  NOTE: USE M6x55mm THREAD MOUNTING BOLTS FOR SINGLE VALVE



KH10 kit comprises H10 adaptor - 1 off
1/4"-20 UNC x 2.75" socket head screw - 3 off
O Ring- 2 off




Manufactured by



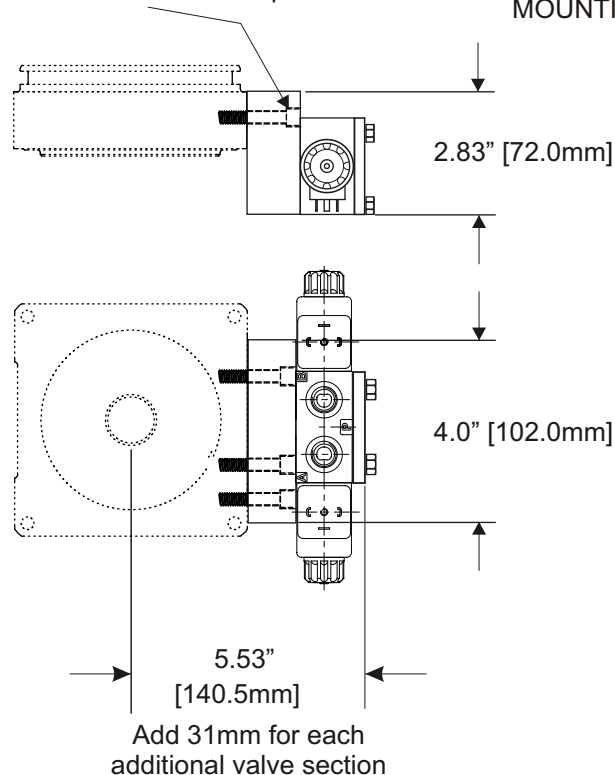
Sheet No. 1 of 1

Date: 2nd February 2004

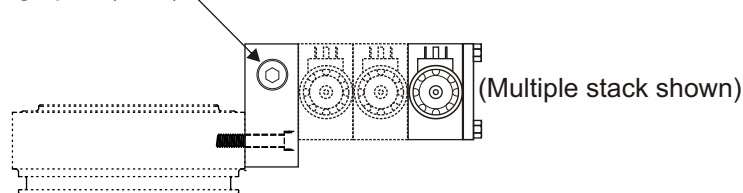
Manifold Adaptor for HYTOS Sandwich valve series RPEK

-  KIT INCLUDES ALL SEALS AND MOUNTING HARDWARE.
-  HYTOS VALVE NOT INCLUDED.
-  NOTE: USE M6x55mm THREAD MOUNTING BOLTS FOR SINGLE VALVE

1/4"-20 UNC x 1.5" socket head cap screws

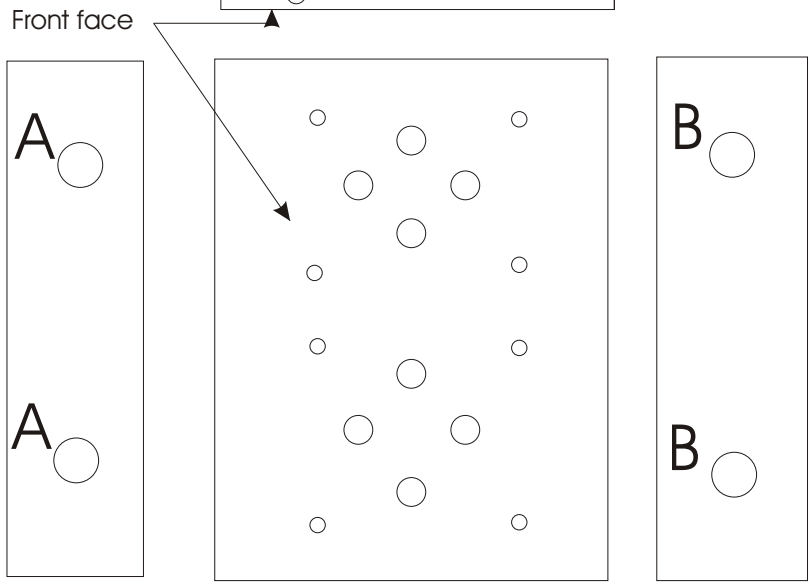
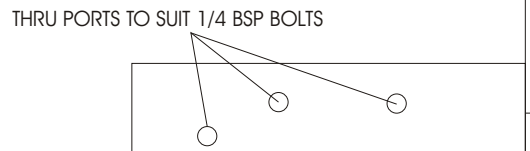
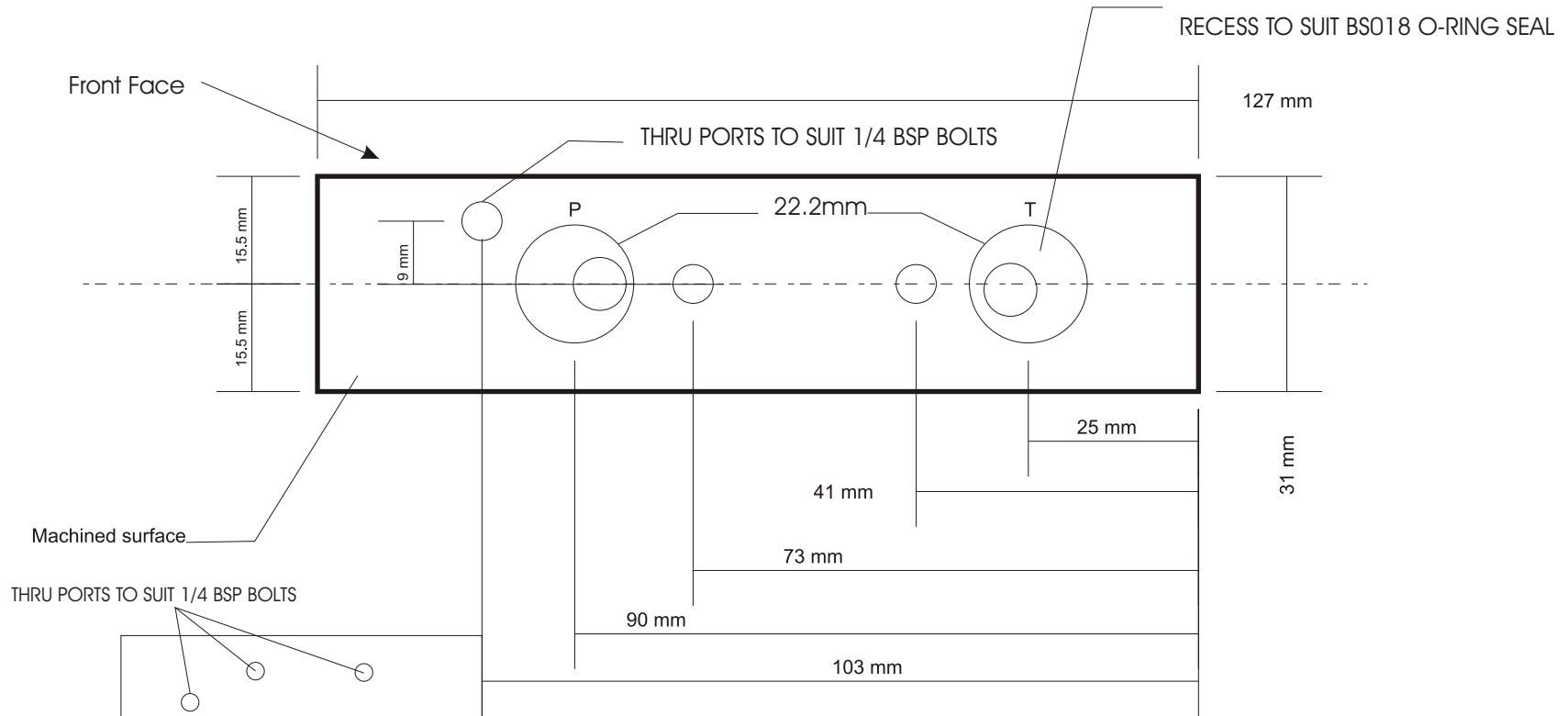


1/4"BSPP Gauge port (on P)



KH20 kit comprises H20 adaptor - 1 off
1/4"-20 UNC x 1.5" socket head screw - 3 off
O Ring- 2 off

Manufactured by



Material: ALUMINIUM
 Pressure: 250Bar
 Flow Rate: 20 l/min max
 Actual size to designers discretion



PT Hydraulics P/L ACN 102 819 401
 Ph +61 3 9562 8800
 Fax +61 3 9562 8080
 www.pt hydraulics.com.au

TITLE		
MANIFOLD N10 ENDHEAD INTERFACE TO MOUNT 2 CETOP3 VALVES		
Drawn	DJC	Date 10/01/07
Scale	NTS	Dwg. Number PTHA0039A4
Checked		