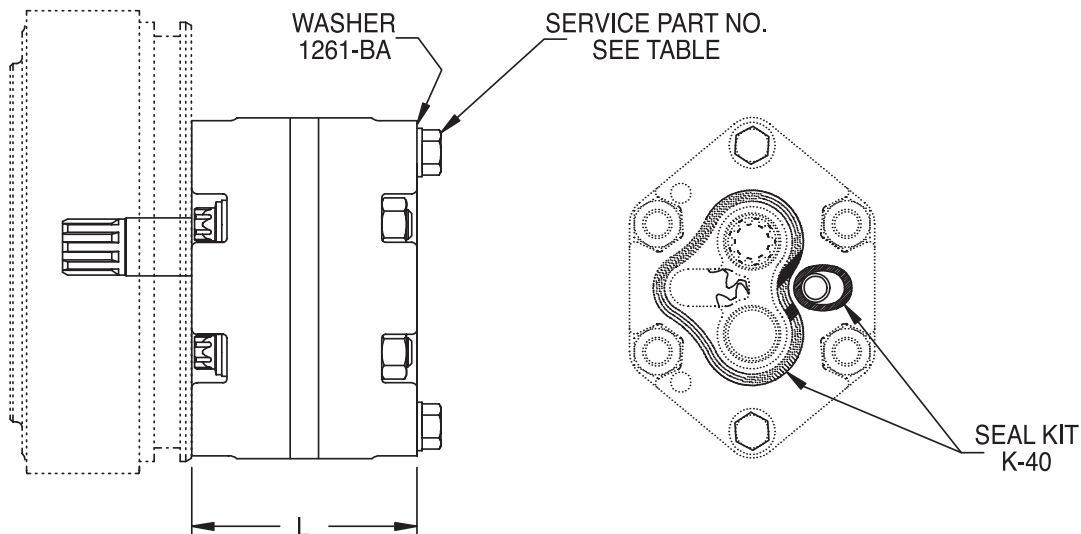


PUMP KITS AFC SERIES



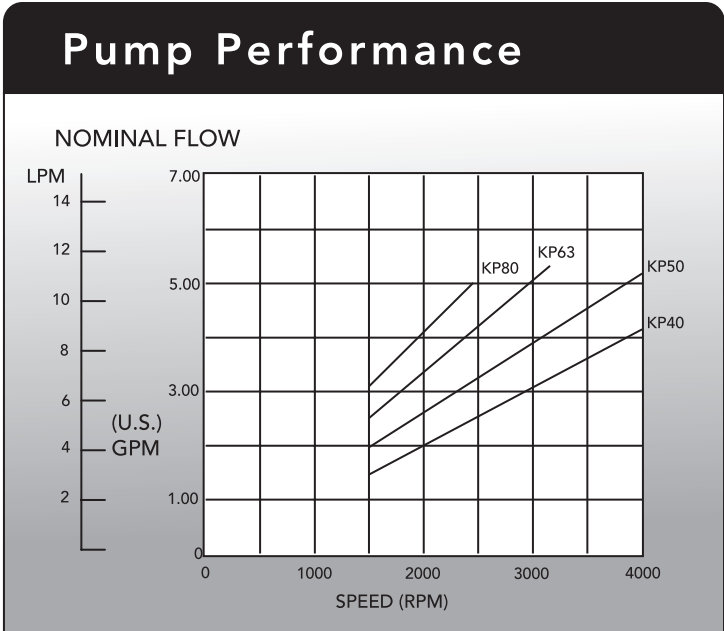
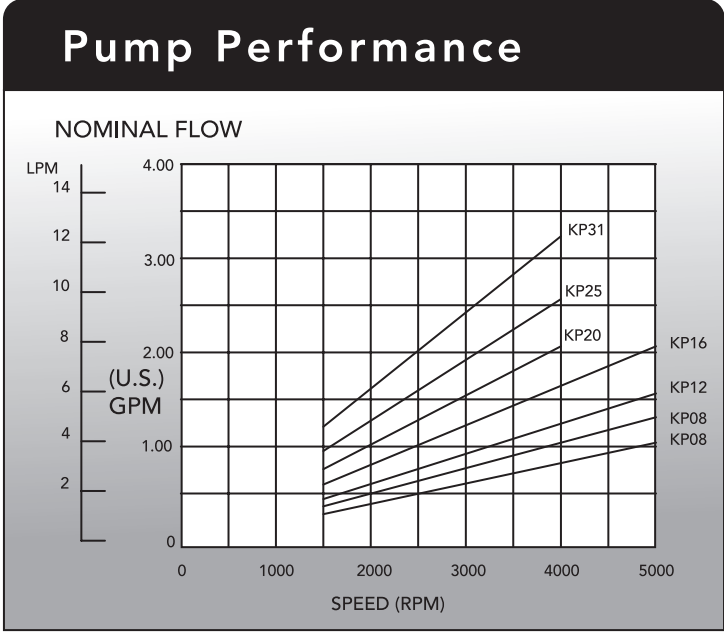
Current Endhead Design Uses 5/16-24 Mounting Thread. Older Endhead Design Used M8 Mounting Thread. Pump Kits Include Both Imperial And Metric Mounting Bolts.

KIT NO.	DISPLACEMENT		LENGTH		MAXIMUM PRESS			INCLUDED IN KIT KP_	
	CC REV	CIPR	MM	INCH	MAX. RPM	CONT. PSI / BAR	INTERMIT. PSI/BAR	SERVICE BOLT PART NO.	SERVICE BOLT PART NO.
KP08	0.8	0.049	57	2.25	5000	5000/350	5000/350	2824-AA METRIC	F1-1052-75 IMPERIAL
KP10	1.0	0.061	58	2.28	5000	5000/350	5000/350	2824-AA METRIC	F1-1052-75 IMPERIAL
KP12	1.2	0.073	59	2.32	5000	5000/350	5000/350	2825-AA METRIC	F1-1052-75 IMPERIAL
KP16	1.6	0.098	60	2.38	5000	5000/350	5000/350	2825-AA METRIC	F1-1052-75 IMPERIAL
KP20	2.0	0.122	62	2.44	4000	5000/350	5000/350	2825-AA METRIC	F1-1053-00 IMPERIAL
KP25	2.5	0.153	64	2.52	4000	4600/320	5000/350	2826-AA METRIC	F1-1053-00 IMPERIAL
KP31	3.1	0.189	67	2.62	4000	3600/250	5000/350	2826-AA METRIC	F1-1053-00 IMPERIAL
KP40	4.0	0.244	70	2.75	4000	3000/200	4000/280	2826-AA METRIC	F1-1053-25 IMPERIAL
KP50	5.0	0.305	74	2.90	4000	2300/160	3200/220	2827-AA METRIC	F1-1053-50 IMPERIAL
KP63	6.3	0.384	79	3.11	3200	1800/125	2500/175	2827-AA METRIC	F1-1053-50 IMPERIAL
KP80	8.0	0.488	86	3.37	2400	1500/100	2000/140	2828-AA METRIC	F1-1053-75 IMPERIAL

Kit includes washers and mounting bolts. Use all washers. Mounting bolts are grade 5. **Do not substitute.**

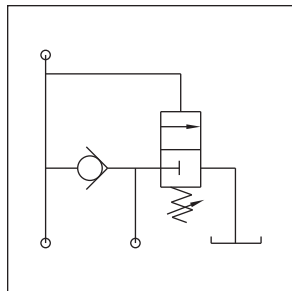
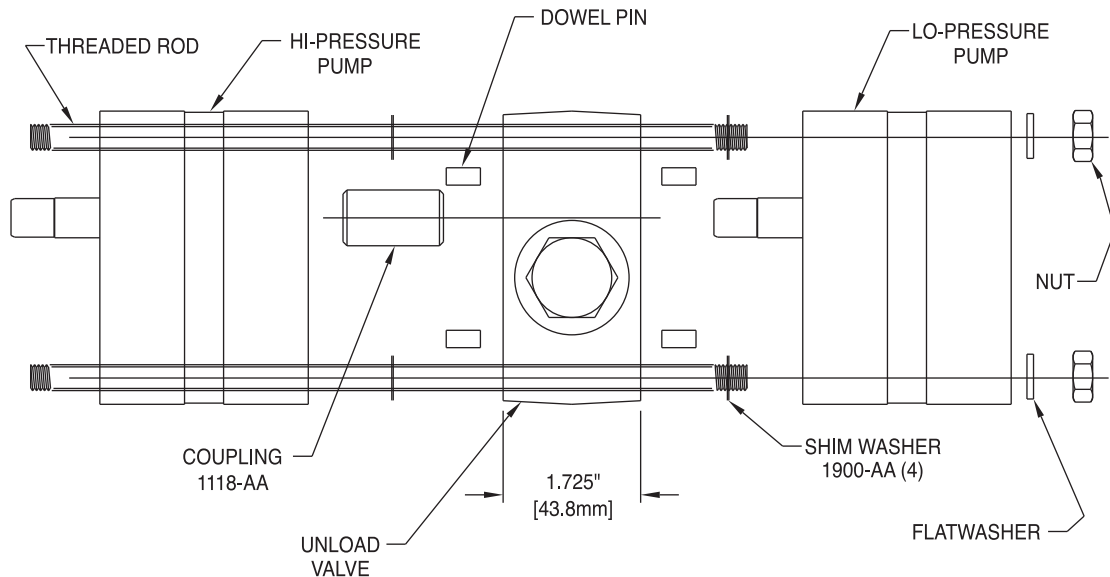
KP10 cannot be used in duplex pump applications.

PUMP KITS AFC SERIES



KU2-4

UNLOAD ASSEMBLY



Current Endhead Design Uses 5/16-24 Mounting Thread. Older Endhead Design Used M8 Mounting Thread. Pump Kits Include Both Imperial And Metric Mounting Bolts.

Kit No.	Unload Setting	Adjustment Range
KU2	300 PSI	300-450 PSI (20-30 BAR)
KU4	600 PSI	500-1000 PSI (35-70 BAR)

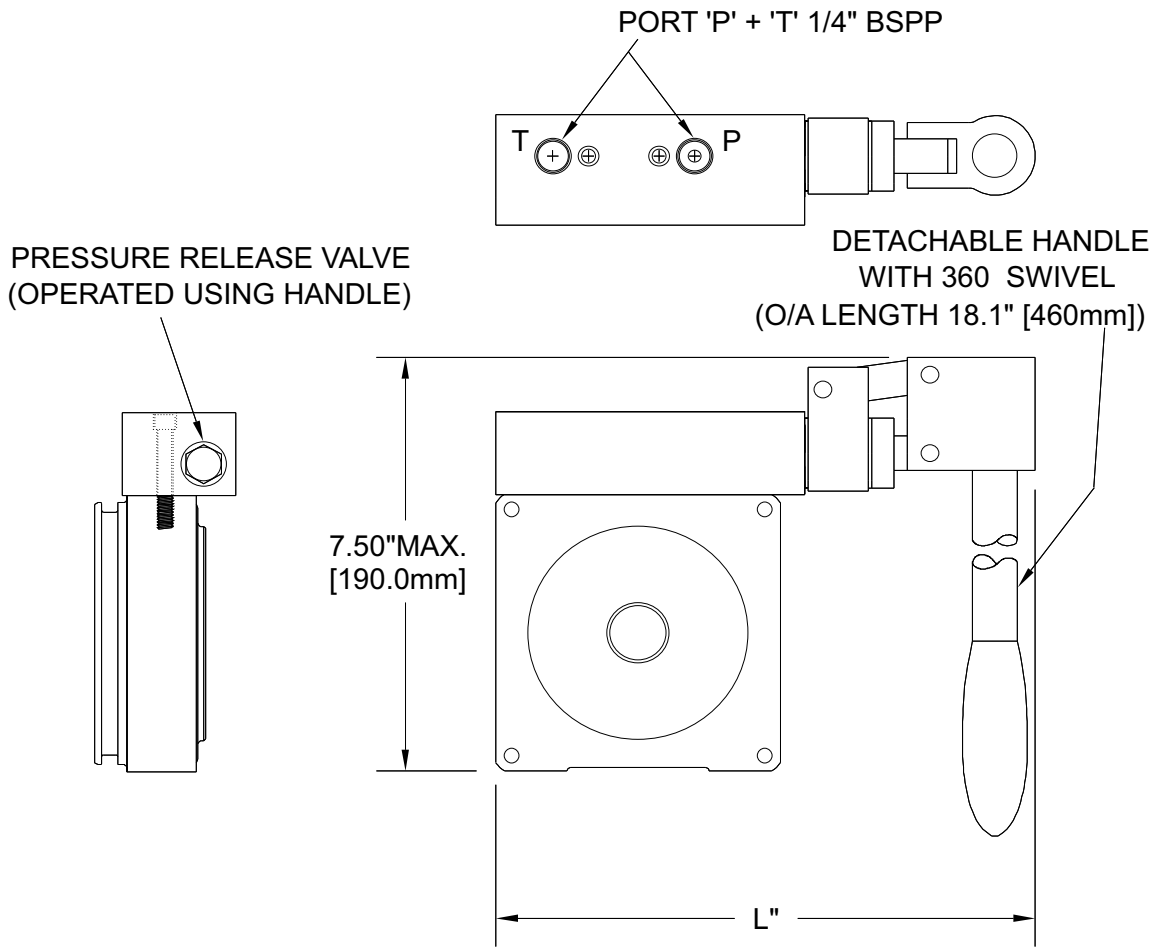
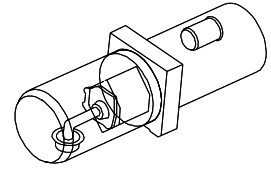
Any 2 AFC pumps (except KP10) may be piggybacked with an unload valve between them to create a duplex (or hi-lo) pump.

Metric and imperial threaded rod, nuts and washers provided.

Unload setting can be adjusted in range shown.

DISTRIBUTOR POWER UNIT PROGRAM

SPX **STONE**TM



- KIT INCLUDES ALL SEALS AND MOUNTING HARDWARE.
- LONG MOUNTING BOLTS SUPPLIED FOR FITMENT OF OPTIONAL KB10/11 MANIFOLD BLOCKS.

KIT NO.	DISPLACEMENT		LENGTH		MAXIMUM PRESS.	
	CC/STROKE	CIPR	mm	INCH	P.S.I.	BAR
KHP1	5.8	0.354	241	9.50	3625	250
KHP2	8.2	0.500	272	10.71	3625	250

CHANGE

TITLE
HANDPUMP MANIFOLD.
(SINGLE ACTING ON
DOWNWARD STROKE)

SCALE

NONE

REV.

A

DRAWN

APJ

DATE

03-FEB-99

CHECK

DATE

PART NO.

KHP_

Distributed in Australia by



PT Hydraulics P/L ACN 102 819 401
28 Clayton Rd, Notting Hill VIC 3168, Australia
Ph +61 3 9562 8800
Fax +61 3 9562 8080
www.pthydraulics.com.au



The information contained in this data sheet may change without notification.

November 2005

Fluid Power Products