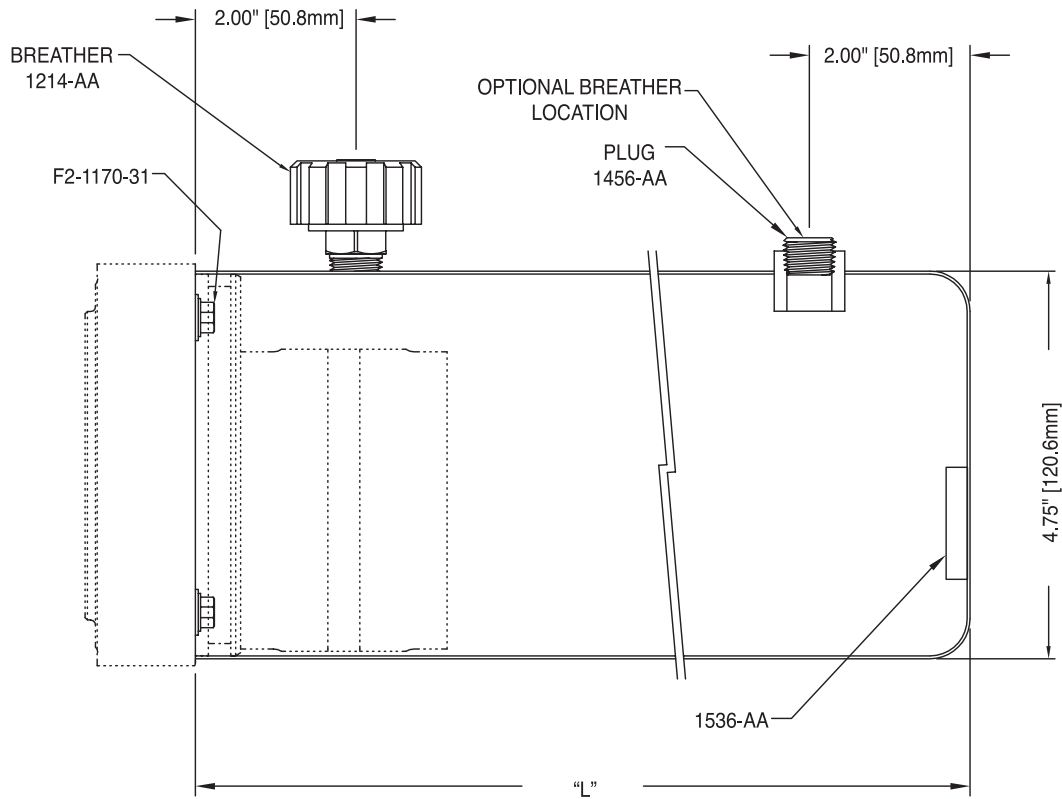


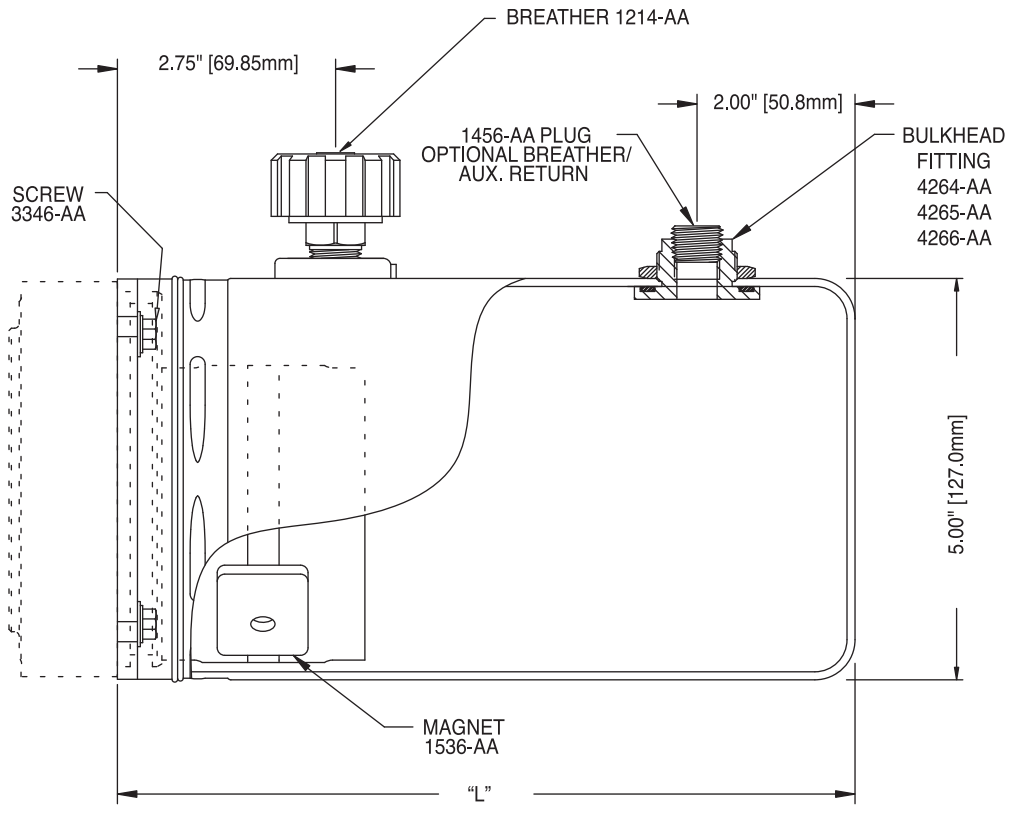
4.75"/120MM DIAMETER ROUND STEEL



KIT NO.	NOM. CAP. (QT.)	TANK LENGTH		USEABLE OIL CAPACITY			
		MM	INCH	LITRE	VERTICAL CUBIC IN.	LITRE	HORIZONTAL CUBIC IN.
KR12	2	216	8.50	1.4	85	1.6	90
KR14	3	305	12.00	2.4	138	2.2	135
KR15	4	368	14.50	2.6	165	2.6	161

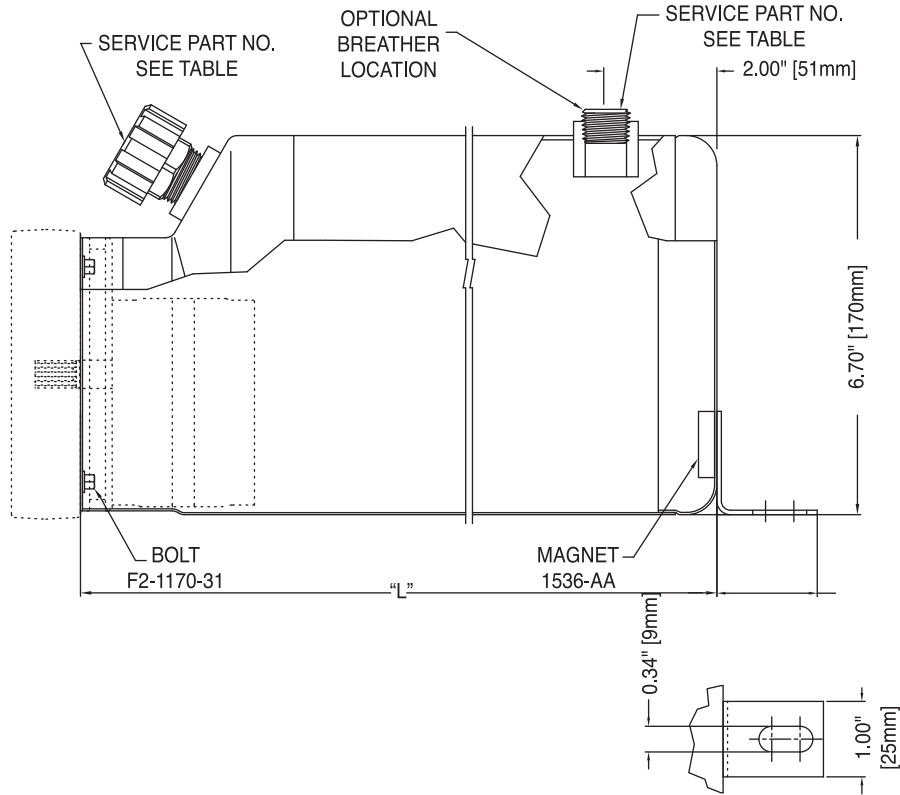
KR22-25

**5.0"/127MM
SQUARE PLASTIC**



KIT NO.	NOM. CAP. (QT.)	TANK LENGTH		USEABLE OIL CAPACITY			
		MM	INCH	LITRE	VERTICAL CUBIC IN.	LITRE	HORIZONTAL CUBIC IN.
KR22	2	216	8.50	1.4	83	1.6	100
KR24	3	280	11.00	2.3	138	2.2	130
KR25	4	356	14.00	3.3	200	2.9	175

6.7"/170MM DIAMETER TRANSITION STYLE STEEL

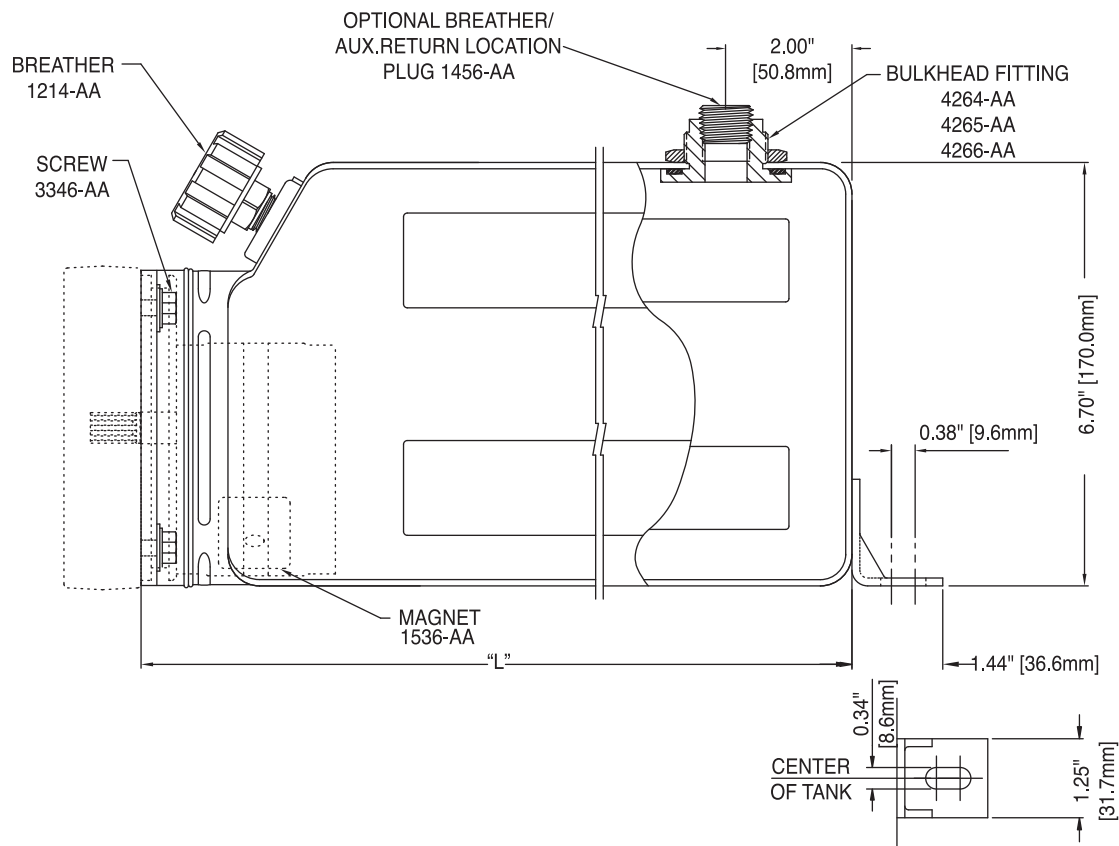


KIT NO.	NOM. CAP. (QT.)	TANK LENGTH		USEABLE OIL CAPACITY				BREATHER PART NO.	PLUG PART NO.
		MM	INCH	LITRE	CUBIC IN.	LITRE	CUBIC IN.		
KR40	1.0	200	7.88	1.6	100	2.8	170	1214-AA	1465-AA
KR45	1.2	250	9.84	2.6	160	3.6	220	1214-AA	1465-AA
KR41	1.5	300	11.81	3.6	220	4.4	270	1683-AB	1896-AA
KR42	2.0	400	15.75	5.6	340	5.9	360	1683-AB	1896-AA
KR46	2.5	432	17.00	6.2	380	6.4	390	1683-AB	1896-AA
KR43	3.0	550	21.65	8.5	520	8.2	500	1683-AB	1896-AA
KR44	4.0	660	26.00	10.6	650	9.8	600	1683-AB	1896-AA

Foot included on 1.5 gallon and larger.
 Shimming may be required at installation.
 Do not use KR40 with duplex pump units.

KR50-56

6.7"/170MM OFFSET PLASTIC



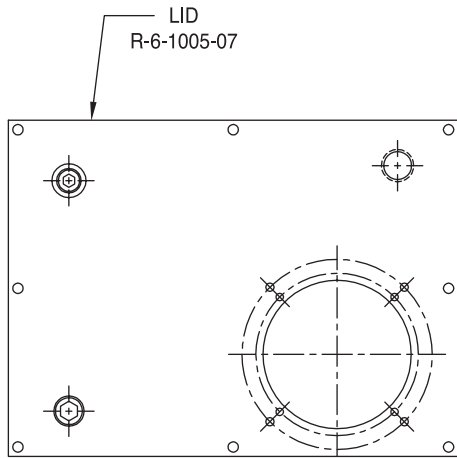
KIT NO.	NOM. CAP. (QT.)	TANK LENGTH		USEABLE OIL CAPACITY			
		MM	INCH	LITRE	VERTICAL CUBIC IN.	HORIZONTAL LITRE	CUBIC IN.
KR50	1.0	190	7.50	1.9	120	3.1	186
KR55	1.2	288	9.00	2.9	180	3.8	230
KR51	1.5	279	11.00	4.3	260	4.7	286
KR52	2.0	330	13.00	5.6	340	5.6	345
KR56	2.5	381	15.00	6.9	420	6.6	400
KR53	3.0	508	20.00	10.2	620	8.8	540
KR54	4.0	660	26.00	14.1	860	11.7	715

Foot included on 1.5 gallon and larger.

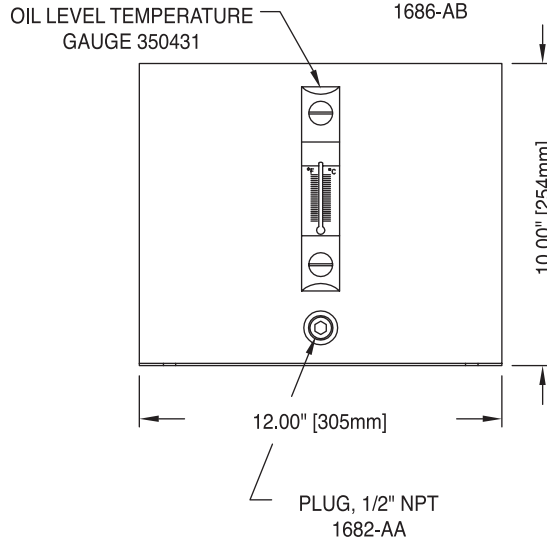
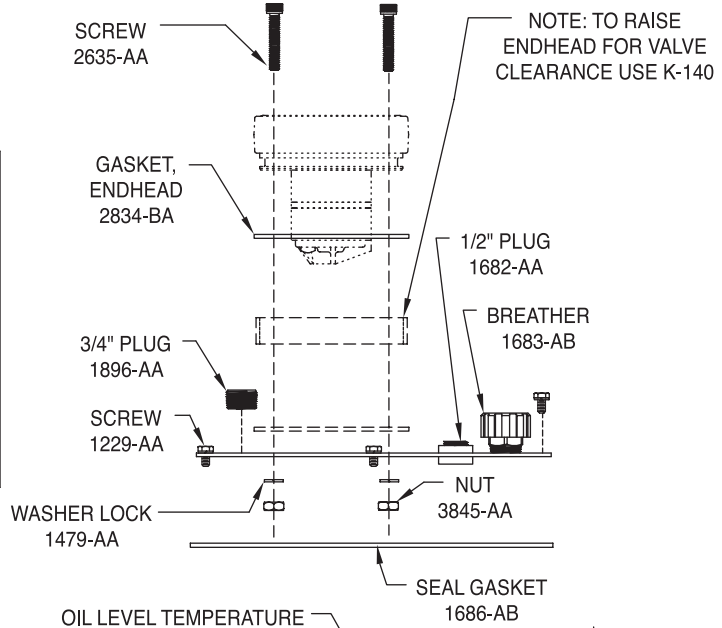
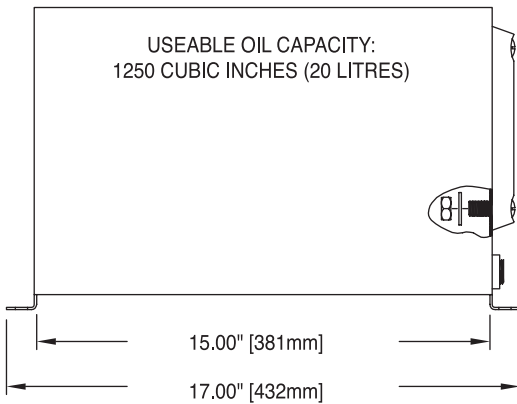
Shimming may be required at installation.

Do not use KR50 or KR55 with duplex pump units.

7 GALLON FLOOR MOUNT

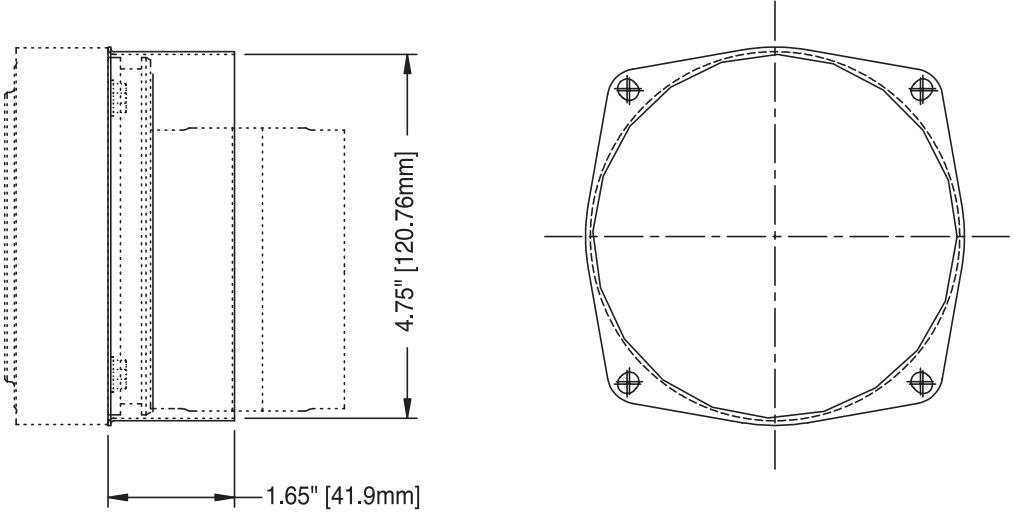


LID CAN BE ROTATED AND/OR REVERSED FOR FLEXIBILITY OF ENDHEAD/BREATHER POSITION



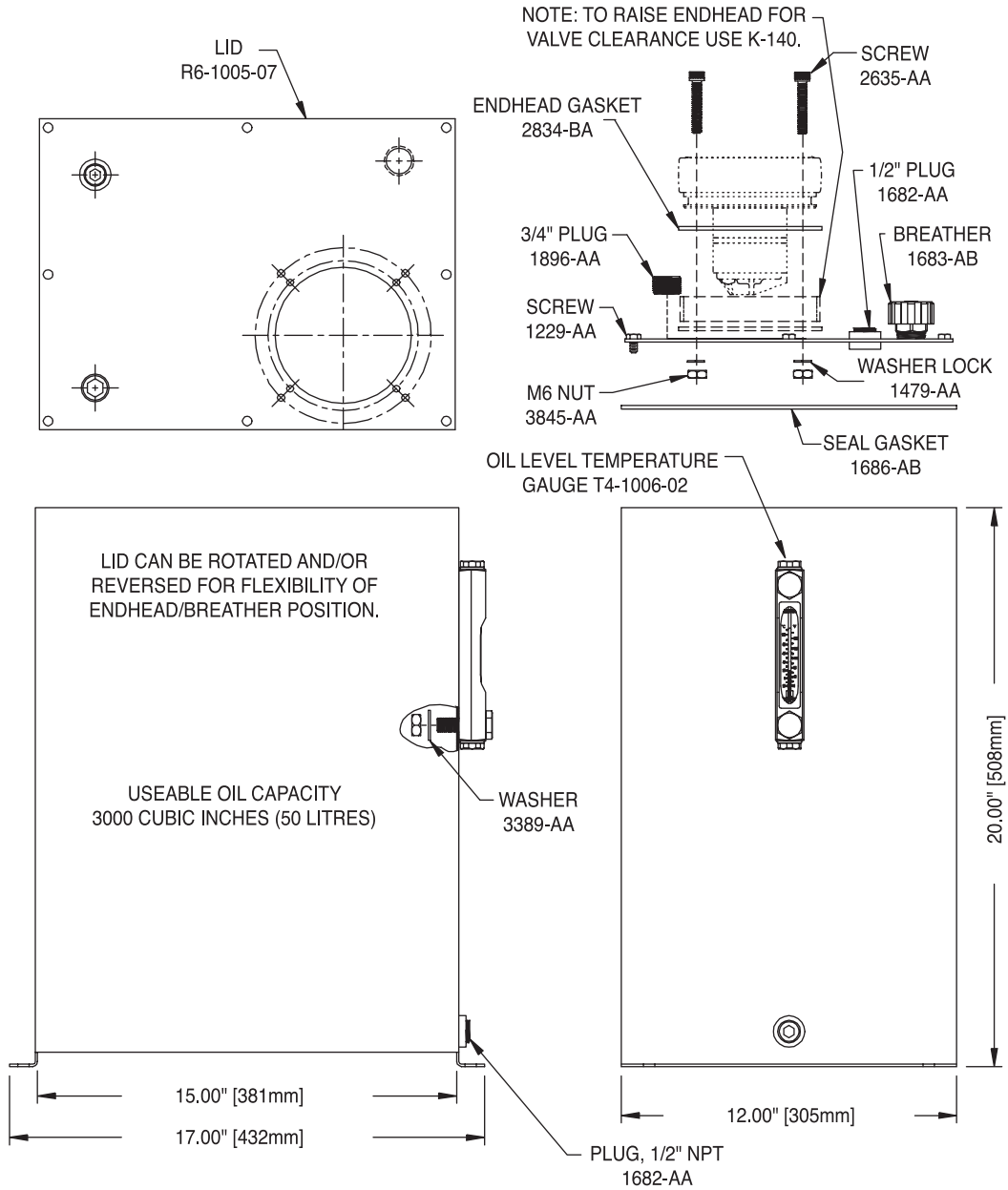
KR72

TANK NECK-RING KIT



For use with self-manufactured steel reservoirs.

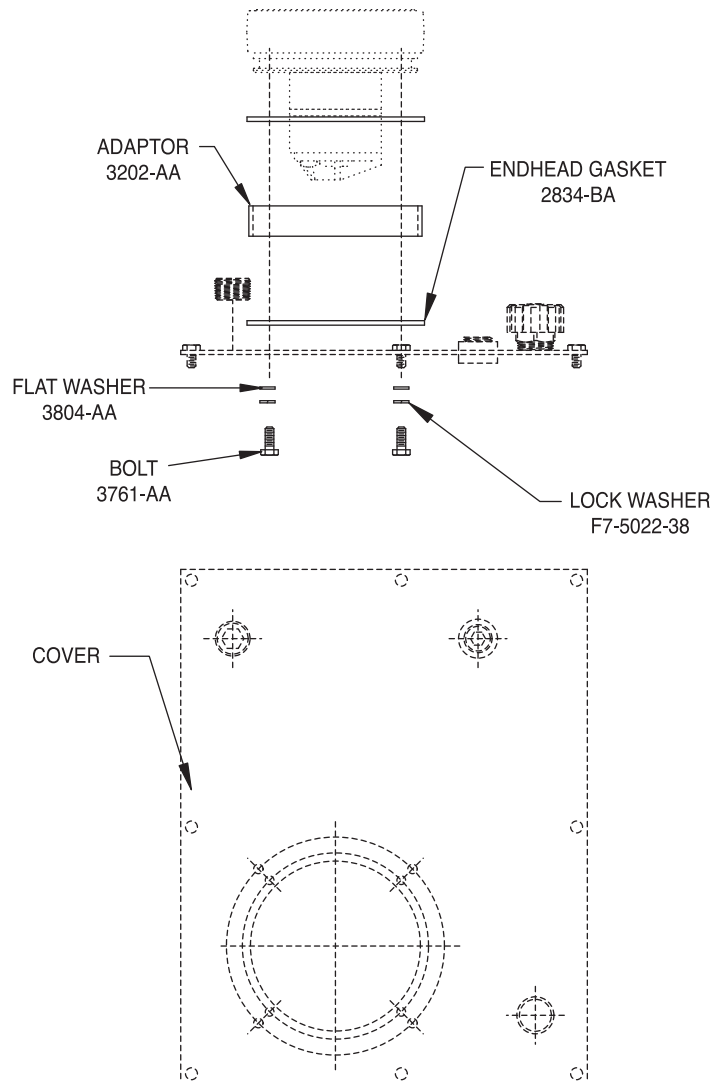
14 GALLON VERTICAL FLOOR MOUNT



RESERVOIRS

K-140

INDUSTRIAL RESERVOIR COVER KIT

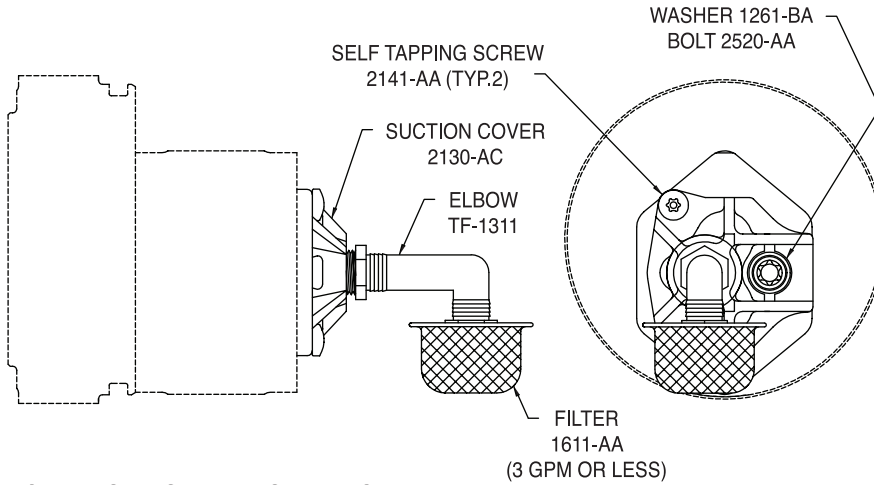


For use with KR71 and KR73 tanks to give additional clearance for valve coil.

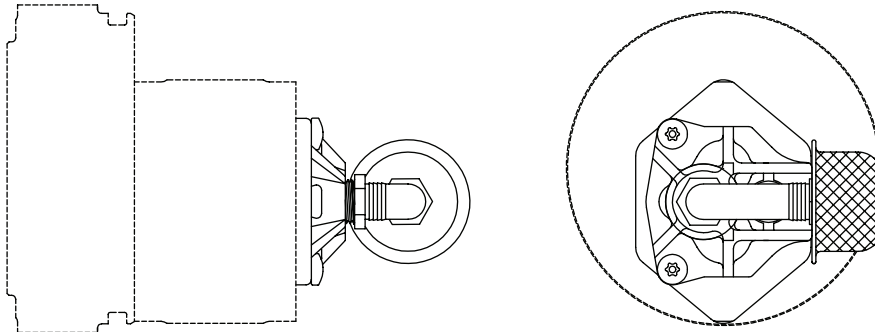
PLUMBING KIT

HORIZONTALLY MOUNTED UNITS

HORIZONTAL MOUNTING



SIDE HORIZONTAL MOUNTING

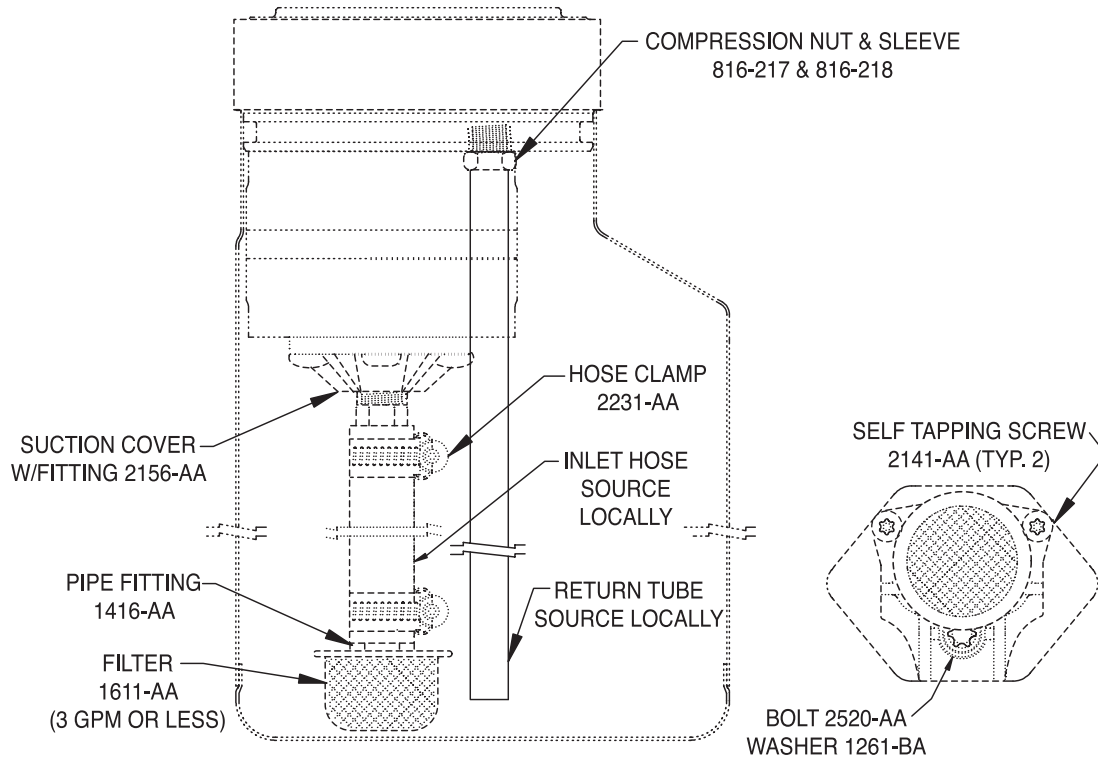


Parts may be assembled in either orientation depending on mounting of power unit.

For flows over 3 GPM use 1413-AA large filter.

KV

PLUMBING KIT VERTICALLY MOUNTED UNITS

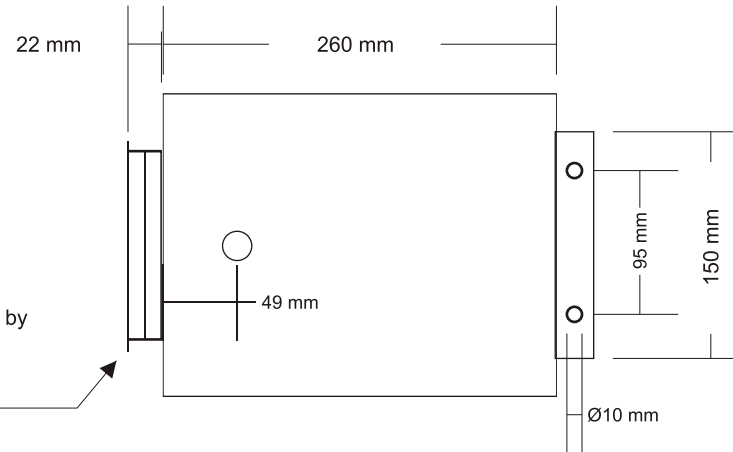


Parts may be assembled in either orientation depending on mounting of power unit.

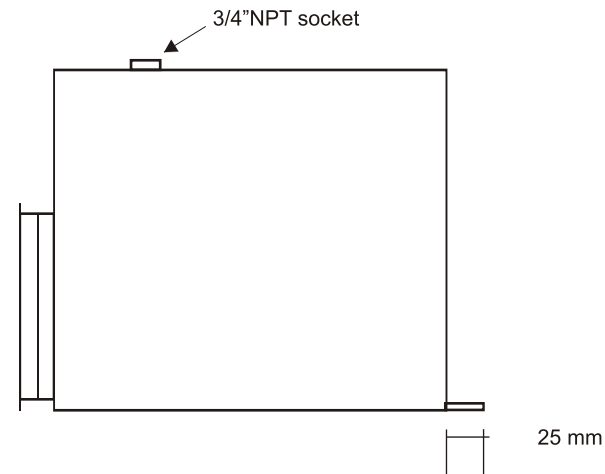
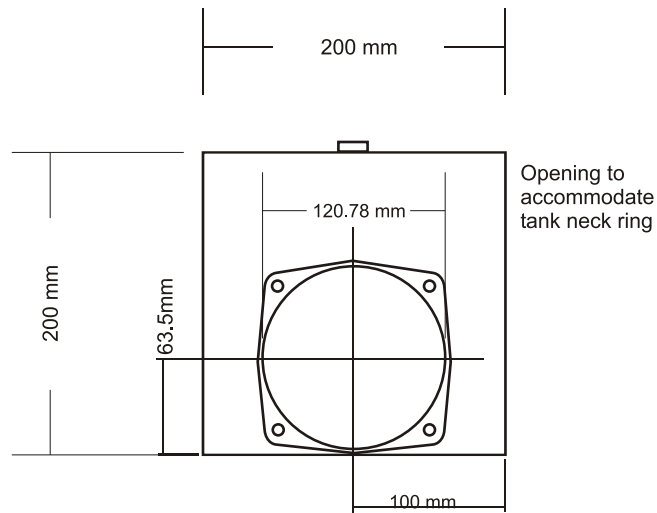
For flows over 3 GPM use 1413-AA large filter.

Additional items required for horizontal tank kit

ITEM	QTY	DESCRIPTION	Part No
1	1	Breather	1683-AB
2	1	Neck Ring	R1-2000-03
3	4	Screws	F2-1170-31
4	1	Magnet	1536-AA



Tank neck ring supplied by PT Hydraulics to be welded into tank



THE PROFESSIONAL TEAM

PT
HYDRAULICSAUSTRALIA
PTY LIMITED

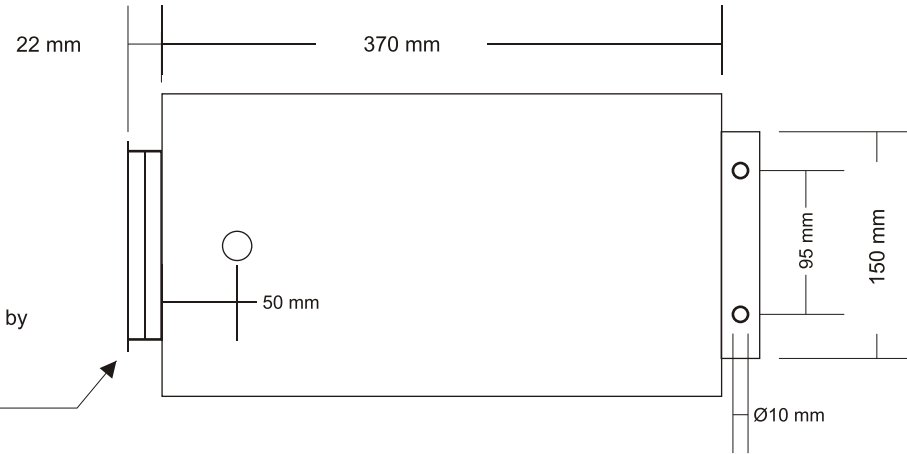
PT Hydraulics P/L ACN 102 819 401
28 Clayton Rd, Notting Hill VIC 3168
Ph +61 3 9562 8800
Fax +61 3 9562 8080
www.pthydraulics.com.au

TITLE
R1-0000-55
5.5 litre useable volume Reservoir
(Horizontal) For Kit **KR30**

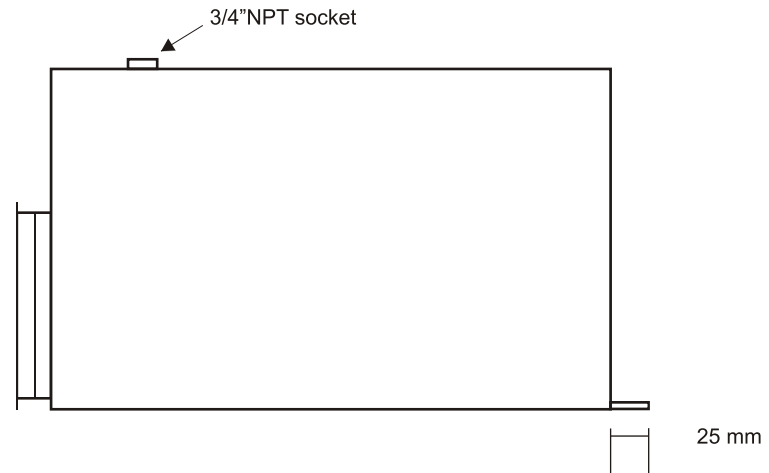
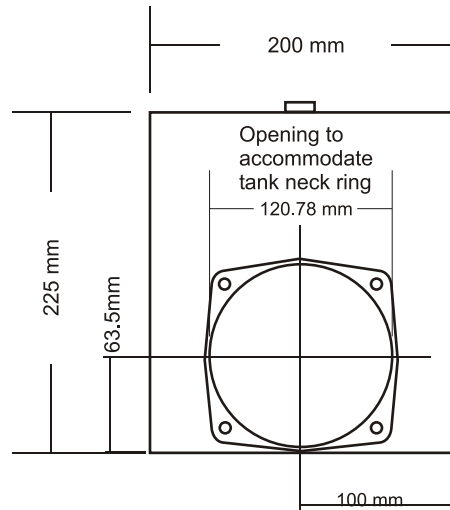
Drawn	KW	Date	8/10/03	Checked
Scale	NTS	REVISION B	Dwg. Number	PTHA0004A4

Additional items required for horizontal tank kit

ITEM	QTY	DESCRIPTION	Part No
1	1	Breather	1683-AB
2	1	Neck Ring	R1-2000-03
3	4	Screws	F2-1170-31
4	1	Magnet	1536-AA



Tank neck ring supplied by PT Hydraulics to be welded into tank



THE PROFESSIONAL TEAM

PT

HYDRAULICSAUSTRALIA

PTY LIMITED

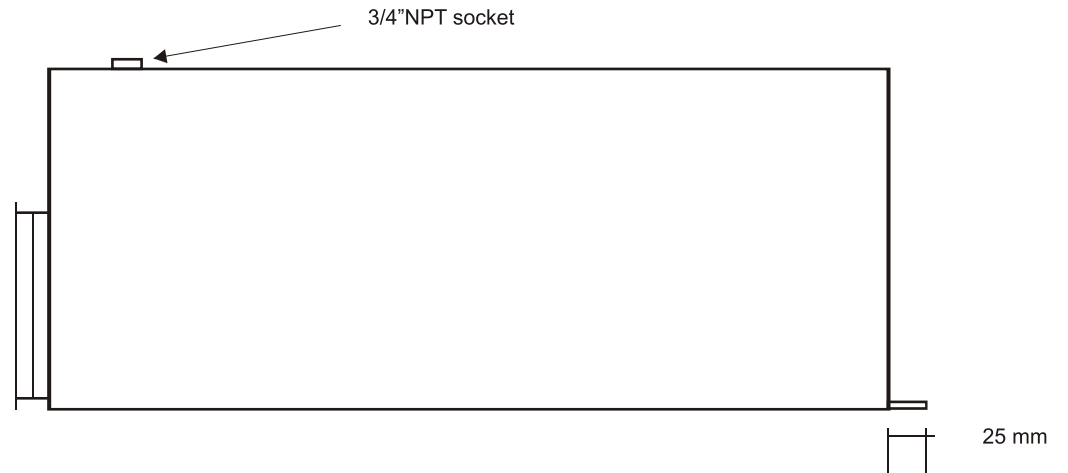
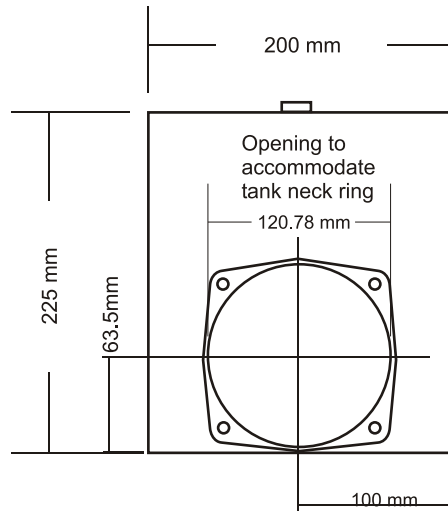
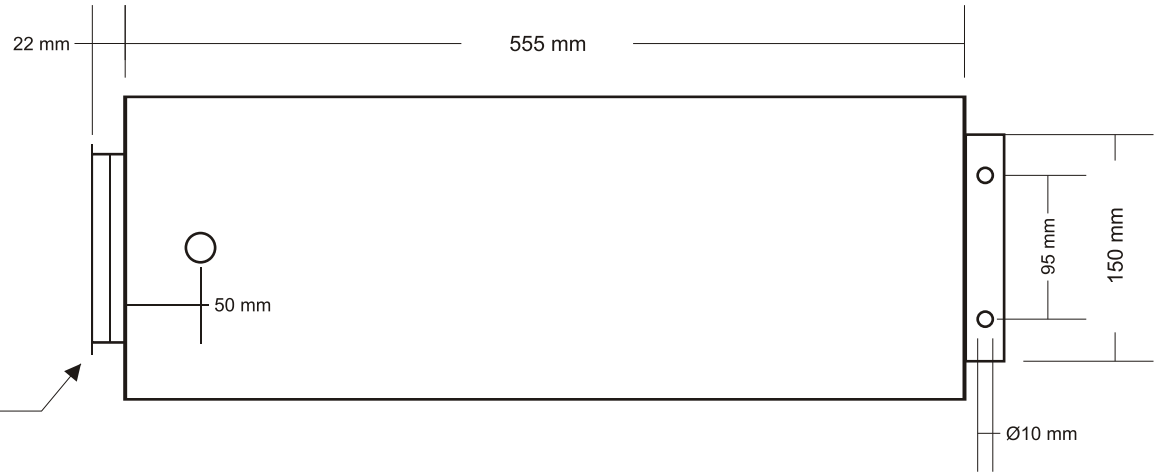
PT Hydraulics P/L ACN 102 819 401
 28 Clayton Rd, Notting Hill VIC 3168
 Ph +61 3 9562 8800
 Fax +61 3 9562 8080
 www.pthydraulics.com.au

TITLE		
R1-0000-100 10 litre useable volume Reservoir (Horizontal) For kit KR31		
Drawn	KW	Checked
Scale	NTS	Date 8/10/03
REVISION B		Dwg. Number PTHA0005A4

Additional items required for horizontal tank kit

ITEM	QTY	DESCRIPTION	Part No
1	1	Breather	1683-AB
2	1	Neck Ring	R1-2000-03
3	4	Screws	F2-1170-31
4	1	Magnet	1536-AA

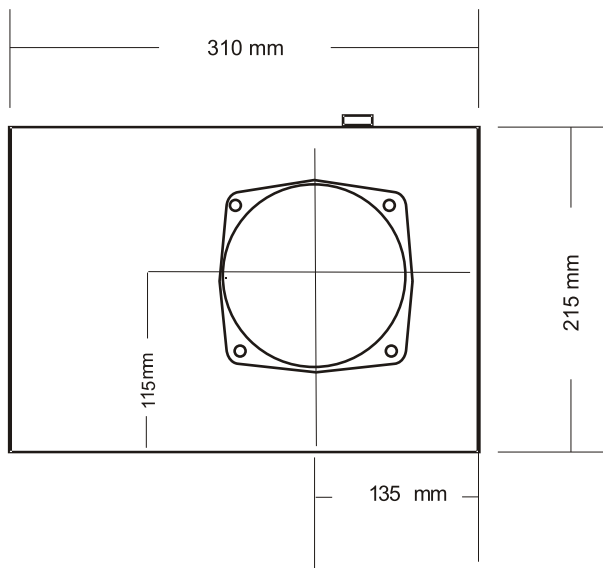
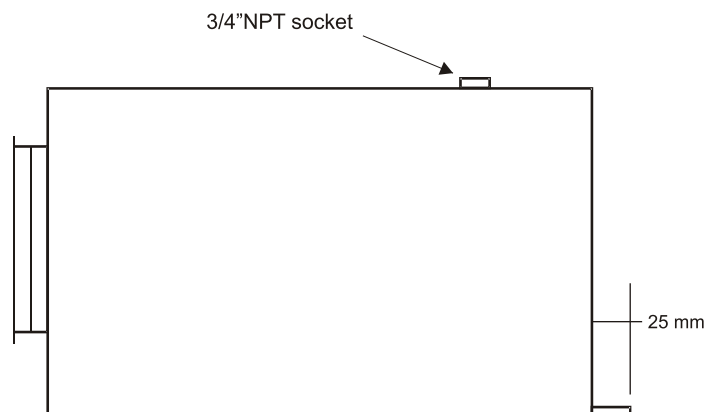
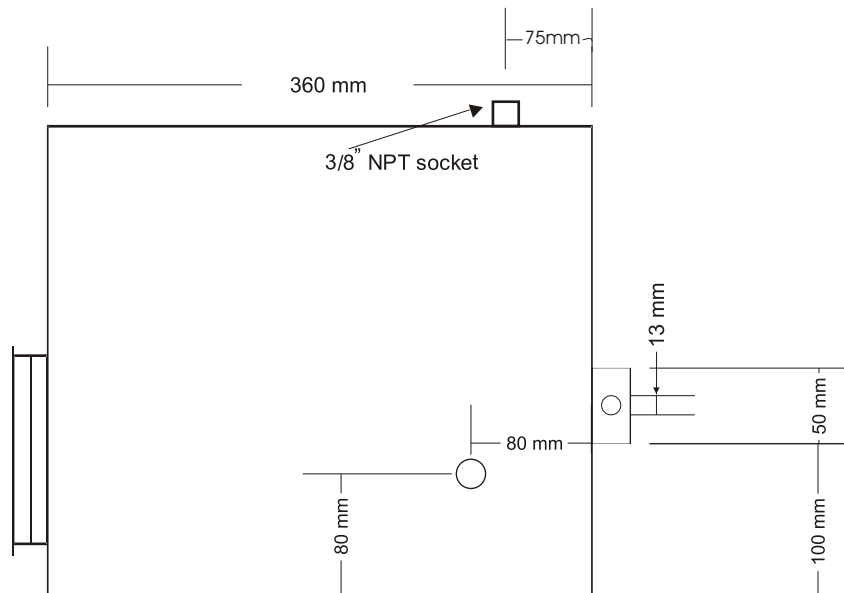
Tank neck ring supplied by PT Hydraulics to be welded into tank



PT Hydraulics P/L ACN 102 819 401
 28 Clayton Rd, Notting Hill VIC 3168
 Ph +61 3 9562 8800
 Fax +61 3 9562 8080
 www.pthydraulics.com.au

TITLE
R1-0000-150
 15 litre useable volume Reservoir
 (Horizontal) For kit **KR32**

Drawn	KW	Date	8/10/03	Checked
Scale	NTS	REVISION B		Dwg. Number PTHA0006A4



Opening to accommodate tank neck ring #R1-2000-03 supplied by PT Hydraulics

Material: 2.0mm Mild Steel Sheet



PT Hydraulics P/L ACN 102 819 401
 28 Clayton Rd, Notting Hill VIC 3168
 Ph +61 3 9562 8800
 Fax +61 3 9562 8080
 www.pthydraulics.com.au

Drawn DC
 Scale NTS

TITLE

R1-362131
 SPECIAL Reservoir
 19 litres nominal (KR19)

Date 26/04/06

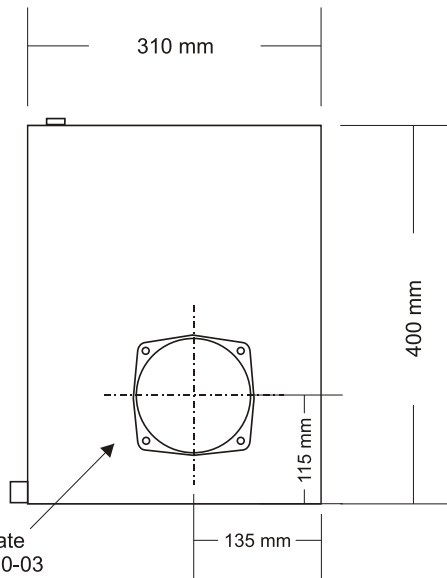
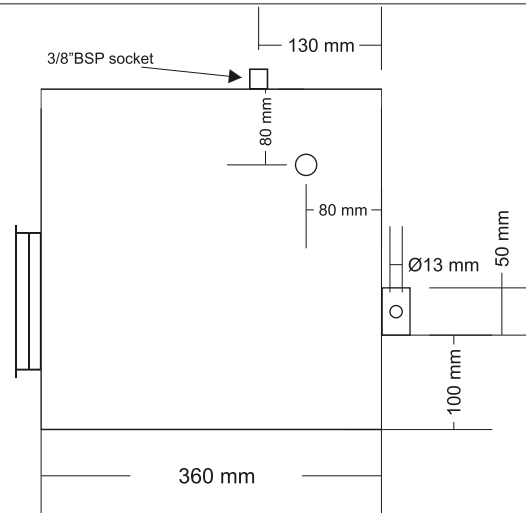
Checked

REVISION C

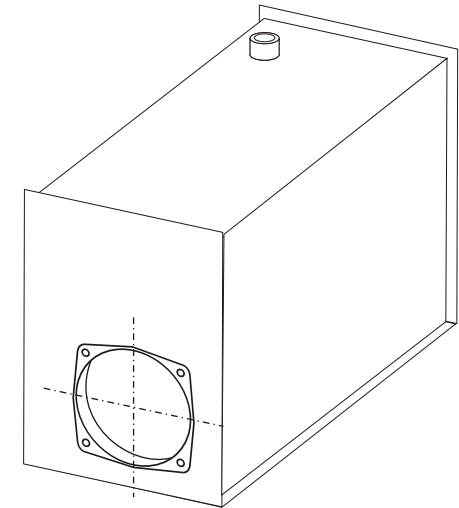
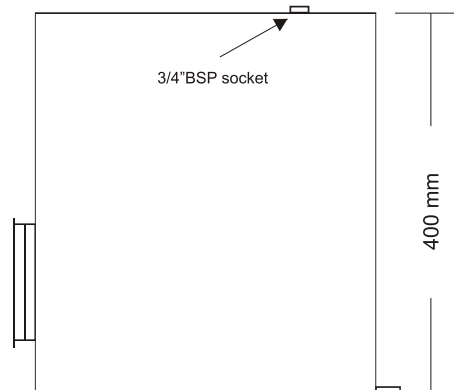
Dwg. Number
 PTHA0007A4

Additional items required for tank kit

ITEM	QTY	DESCRIPTION	Part No
1	1	Breather	1683-AB
2	1	Neck Ring	R1-2000-03
3	4	Screws	F2-1170-31
4	1	Magnet	1536-AA
5	1	Plug	1456-AA



Opening to accommodate tank neck ring #R1-2000-03 supplied by PT Hydraulics

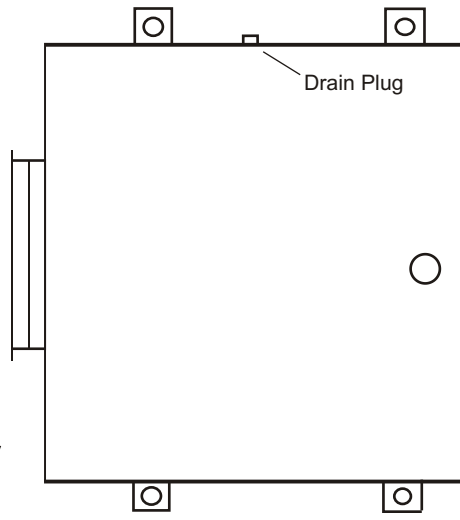


NOTE
Maintain all dimensions as outside dimensions
Construction of tank to position fillet welds as shown

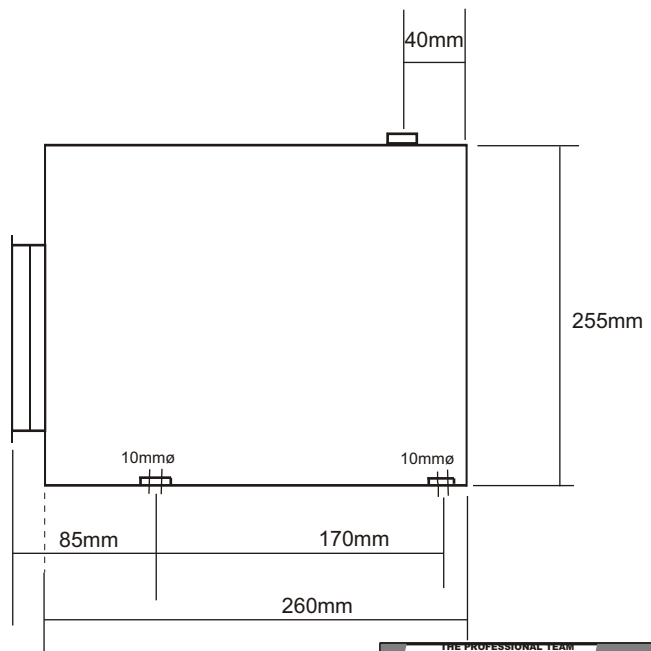
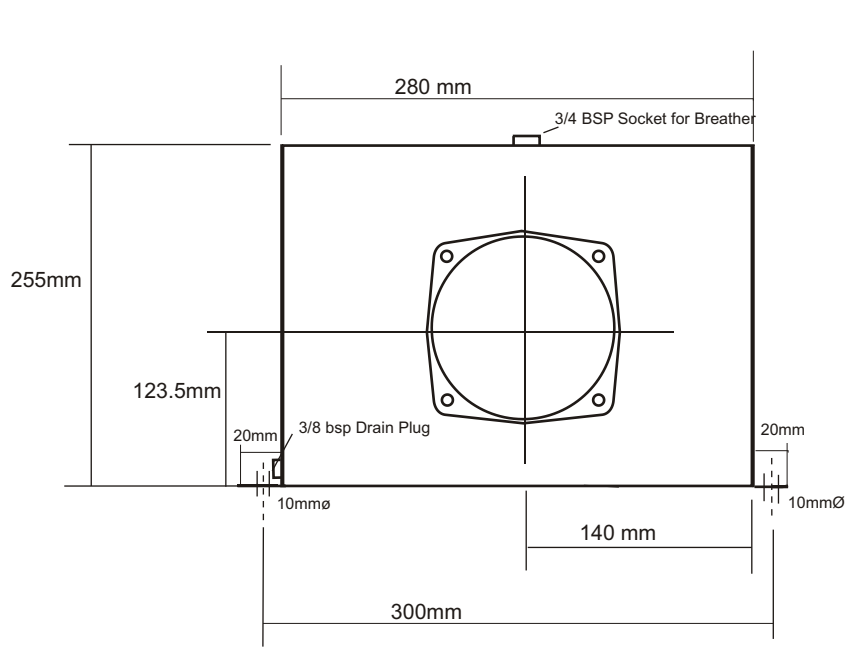
PT
HYDRAULICSAUSTRALIA
PTY LIMITED

PT Hydraulics P/L ACN 102 819 401
28 Clayton Rd, Notting Hill VIC 3168
Ph +61 3 9562 8800
Fax +61 3 9562 8080
www.pthydraulics.com.au

TITLE		
R1-0000-350C SPECIAL Reservoir 35 litres useable For kit KR60		
Drawn KWW	Date 6/12/04	Checked
Scale NTS	Revision C	Dwg. Number PTHA0008A4



Tank neck ring supplied by PT Hydraulics to be welded into tank

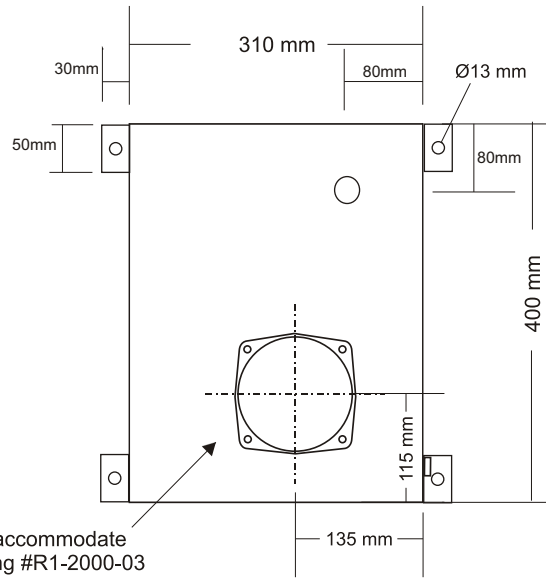


THE PROFESSIONAL TEAM
PT
 PT LIMITED
HYDRAULICSAUSTRALIA
 PT Hydraulics P/L ACN 102 819 401
 19 Ricketts Rd, Mt Waverley VIC 3168
 Ph +61 3 9562 8800
 Fax +61 3 9562 8080
 www.pt hydraulics.com.au

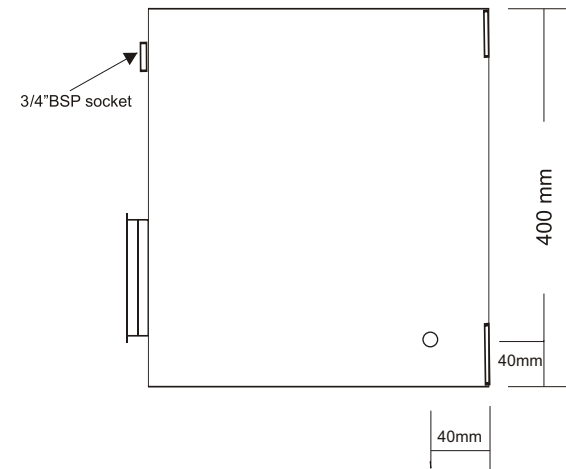
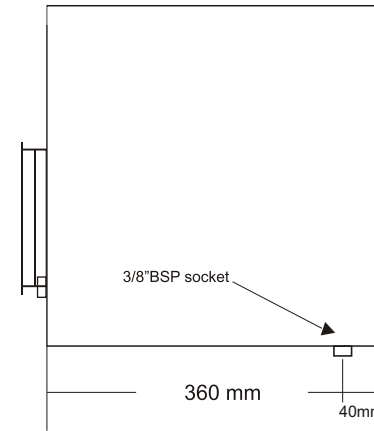
TITLE		
R-0706-150-(KR61) 18 litre useable volume Reservoir		
Drawn	DC	Date
Scale	NTS	18/7/06
Checked		Dwg. Number
		REV1

Additional items required for tank kit

ITEM	QTY	DESCRIPTION	Part No
1	1	Breather	1683-AB
2	1	Neck Ring	R1-2000-03
3	4	Screws	F2-1170-31
4	1	Magnet	1536-AA
5	1	Plug	1456-AA



Opening to accommodate tank neck ring #R1-2000-03 supplied by PT Hydraulics



PT
HYDRAULICSAUSTRALIA
PTY LIMITED
PT Hydraulics P/L ACN 102 819 401
19 Ricketts Rd, Mt Waverley, Vic 3149
Ph +61 3 9562 8800
Fax +61 3 9562 8080
www.pthydraulics.com.au

TITLE		R1-0000-350V Special Reservoir 35 litres usable capacity For Kit KR62	
Draw	DJC	Date	8/8/2006
Scale	NTS	Checked	
		Dwg. Number	PTHA0035A4