

## Horseshoe Adaptor Kit

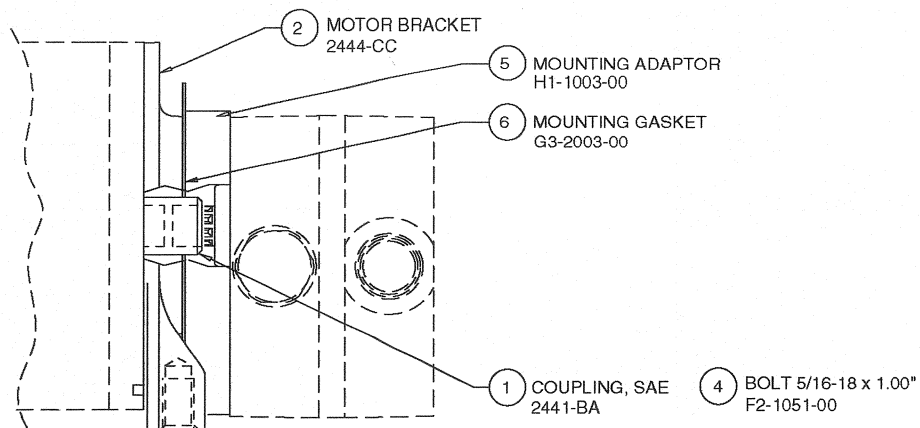
### FOR STONE 4 1/2" DC MOTORS

To mount E-series pumps to STONE 4-1/2" DC motors.

Select pump from pages 14 thru 20.

Select motor from page 9.

Kit includes all hardware and couplings except pump mounting bolts.



STONE 4-1/2" DC MOTORS

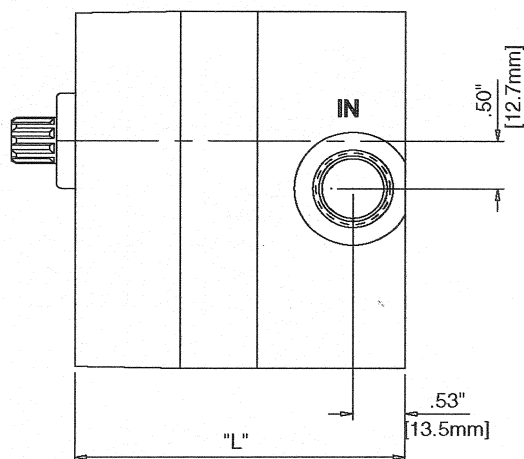
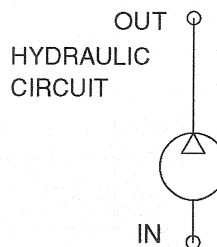
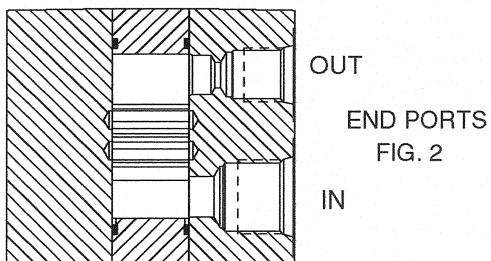
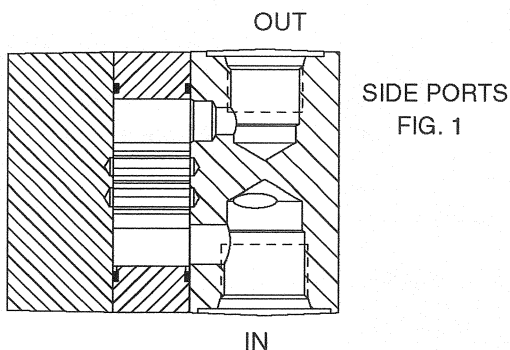
## E-Series Cast Iron Pumps No Valves

PART NO. FIG. 1	PART NO. FIG. 2	DISPLACEMENT		LENGTH	
		CC/REV	CIPR	mm	INCH
PG-1000	PG-1010	1.0	0.061	58	2.28
PG-1001	PG-1011	1.2	0.073	59	2.32
PG-1002	PG-1012	1.6	0.098	60	2.38
PG-1003	PG-1013	2.0	0.122	62	2.44
PG-1004	PG-1014	2.5	0.153	64	2.52
PG-1005	PG-1015	3.1	0.189	67	2.62
PG-1006	PG-1016	4.0	0.244	70 81.0*	2.75 3.19*
PG-1007	PG-1017	5.0	0.305	74 85.1*	2.90 3.35*
PG-1008	PG-1018	6.3	0.384	79 90.2*	3.11 3.55*
PG-1009	PG-1019	8.0	0.488	86 96.8*	3.37 3.81*

MOUNTING BOLTS  
ARE INCLUDED.

PORTS: 3/4" SAE INLET, 9/16" SAE PRESSURE- WITH SIDE OR  
REAR PORTS (.061 THRU .189), REAR PORTS ONLY (.244 THRU .488)

\*PORTS: 7/8" SAE INLET, 3/4" SAE PRESSURE- WITH SIDE PORTS ONLY (.244 THRU .488).



shaft seal  
a2-1002-00

### E-Series Cast Iron Pumps No Valves

K C 0 7

PART NO. FIG. 1	PART NO. FIG. 2	DISPLACEMENT		LENGTH	
		CC/REV	CIPR	mm	INCH
PG-1020	PG-1030	1.0	0.061	58	2.28
PG-1021	PG-1031	1.2	0.073	59	2.32
PG-1022	PG-1032	1.6	0.098	60	2.38
PG-1023	PG-1033	2.0	0.122	62	2.44
PG-1024	PG-1034	2.5	0.153	64	2.52
PG-1025	PG-1035	3.1	0.189	67	2.62
PG-1026	PG-1036	4.0	0.244	70 81.0*	2.75 3.19*
PG-1027	PG-1037	5.0	0.305	74 85.1*	2.90 3.35*
PG-1028	PG-1038	6.3	0.384	79 90.2*	3.11 3.55*
PG-1029	PG-1039	8.0	0.488	86 96.8*	3.37 3.81*

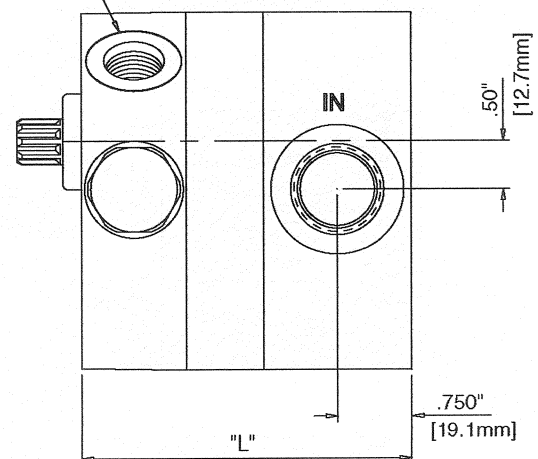
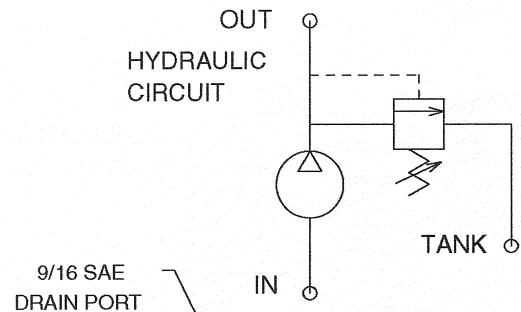
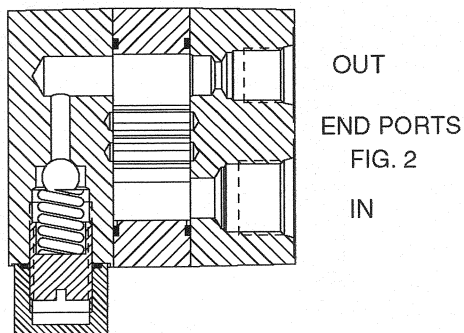
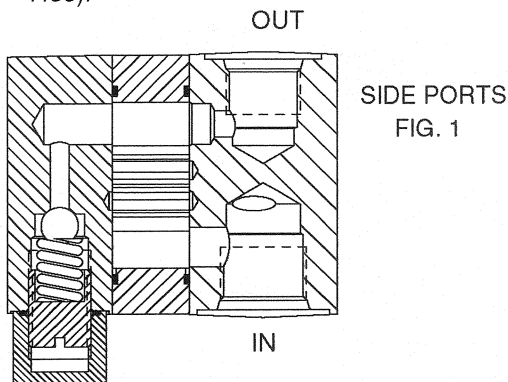
MOUNTING BOLTS  
ARE INCLUDED.

RELIEF VALVE RANGE:  
600-2000 PSI.

EXTERNAL DRAIN  
TO TANK.

PORTS: 3/4" SAE INLET, 9/16" SAE PRESSURE- WITH SIDE OR  
REAR PORTS (.061 THRU .189), REAR PORTS ONLY (.244 THRU .488)

\*PORTS: 7/8" SAE INLET, 3/4" SAE PRESSURE- WITH SIDE PORTS ONLY (.244 THRU  
.488).

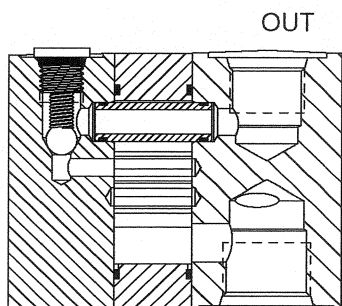


### E-Series Cast Iron Pumps No Valves

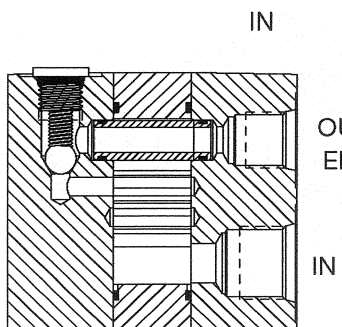
PART NO. FIG. 1	PART NO. FIG. 2	DISPLACEMENT		LENGTH		MOUNTING BOLTS ARE INCLUDED.	
		CC/REV	CIPR	mm	INCH		
PG-1040	PG-1050	1.0	0.061	58	2.28		
PG-1041	PG-1051	1.2	0.073	59	2.32		
PG-1042	PG-1052	1.6	0.098	60	2.38		
PG-1043	PG-1053	2.0	0.122	62	2.44		
PG-1044	PG-1054	2.5	0.153	64	2.52		
PG-1045	PG-1055	3.1	0.189	67	2.62		
PG-1046	PG-1056	4.0	0.244	70 81.0*	2.75 3.19*		
PG-1047	PG-1057	5.0	0.305	74 85.1*	2.90 3.35*		
PG-1048	PG-1058	6.3	0.384	79 90.2*	3.11 3.55*		
PG-1049	PG-1059	8.0	0.488	86 96.8*	3.37 3.81*		

PORTS: 3/4" SAE INLET, 9/16" SAE PRESSURE- WITH SIDE OR REAR PORTS (.061 THRU .189), REAR PORTS ONLY (.244 THRU .488)

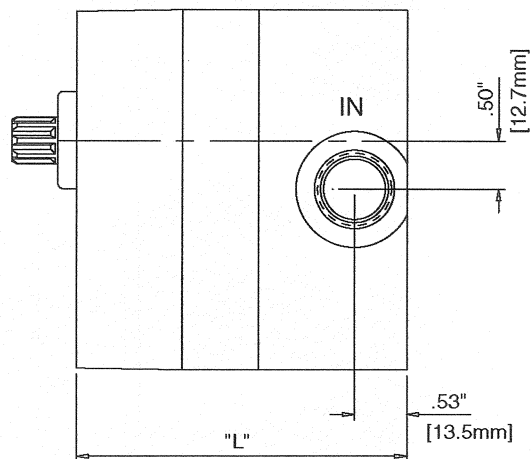
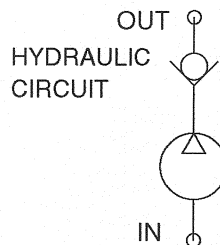
\*PORTS: 7/8" SAE INLET, 3/4" SAE PRESSURE- WITH SIDE PORTS ONLY(.244 THRU .488).



SIDE PORTS  
FIG. 1



OUT  
END PORTS  
FIG. 2



## E-Series Cast Iron Pumps Relief and Check Valves

PART NO. FIG. 1	PART NO. FIG. 2	DISPLACEMENT		LENGTH	
		CC/REV	CIPR	mm	INCH
PG-1060	PG-1070	1.0	0.061	58	2.28
PG-1061	PG-1071	1.2	0.073	59	2.32
PG-1062	PG-1072	1.6	0.098	60	2.38
PG-1063	PG-1073	2.0	0.122	62	2.44
PG-1064	PG-1074	2.5	0.153	64	2.52
PG-1065	PG-1075	3.1	0.189	67	2.62
PG-1066	PG-1076	4.0	0.244	70 81.0*	2.75 3.19*
PG-1067	PG-1077	5.0	0.305	74 85.1*	2.90 3.35*
PG-1068	PG-1078	6.3	0.384	79 90.2*	3.11 3.55*
PG-1069	PG-1079	8.0	0.488	86 96.8*	3.37 3.81*

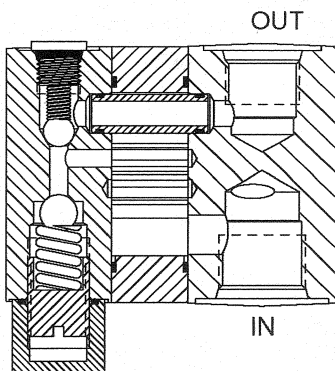
MOUNTING BOLTS  
ARE INCLUDED.

RELIEF VALVE RANGE:  
600-2000 PSI.

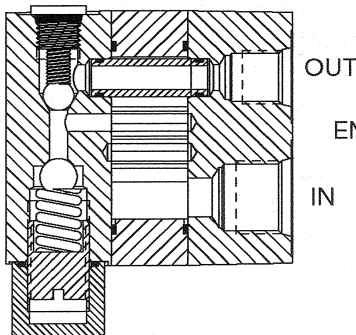
EXTERNAL DRAIN  
TO TANK.

PORTS: 3/4" SAE INLET, 9/16" SAE PRESSURE- WITH SIDE OR  
REAR PORTS (.061 THRU .189), REAR PORTS ONLY (.244 THRU .488)

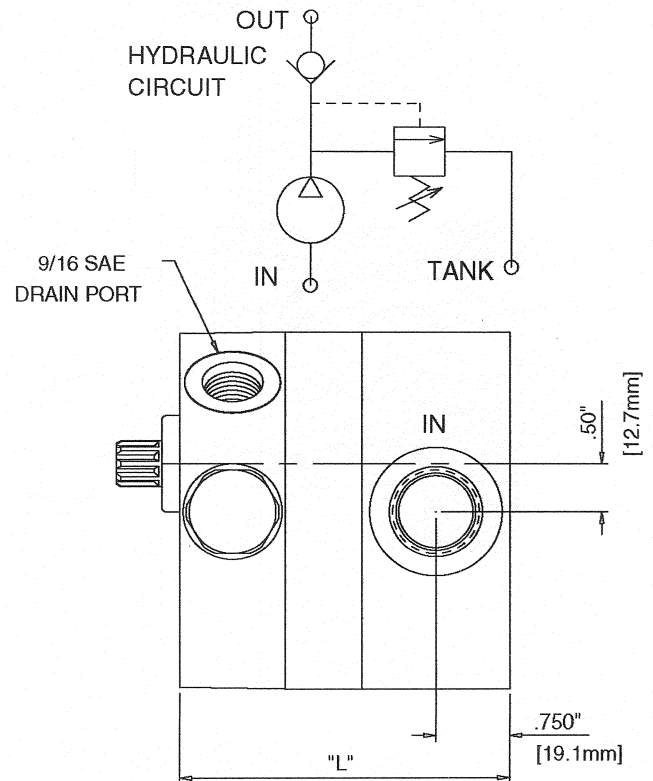
\*PORTS: 7/8" SAE INLET, 3/4" SAE PRESSURE- WITH SIDE PORTS ONLY (.244 THRU  
.488).



SIDE PORTS  
FIG. 1



END PORTS  
FIG. 2



## E-Series Cast Iron Pumps Relief, Check, and N.C. Release Valves

PART NO. 12VDC	PART NO. 115VAC	DISPLACEMENT		LENGTH	
		CC/REV	CIPR	mm	INCH
PG-1080	PG-1090	1.0	0.061	74.4	2.97
PG-1081	PG-1091	1.2	0.073	76.5	3.01
PG-1082	PG-1092	1.6	0.098	77.7	3.06
PG-1083	PG-1093	2.0	0.122	79.2	3.12
PG-1084	PG-1094	2.5	0.153	81.3	3.20
PG-1085	PG-1095	3.1	0.189	83.8	3.30

MOUNTING BOLTS ARE INCLUDED.

RELIEF VALVE RANGE: 600-2000 PSI.

EXTERNAL DRAIN TO TANK.

PORTS: 3/4" SAE INLET, 9/16" SAE PRESSURE- REAR PORTS ONLY.  
AVAILABLE WITH 12VDC OR 115VAC SOLENOIDS.

