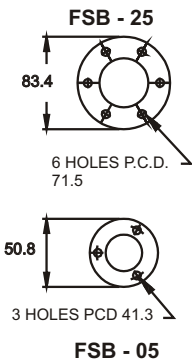
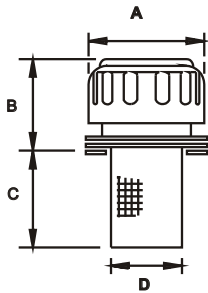


BREATHER

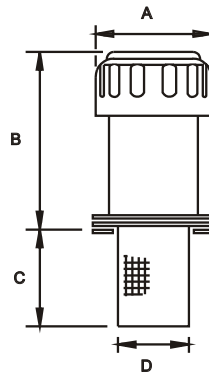
- CHROME PLATED STEEL CAP - VENTS UNDERNEATH
- FILTRATION 40 MICRONS STANDARD / OPTIONAL 10 MICRONS
- AIR FLOWS TO 25 CFM (750 LPM)
- RUGGED CAST ALUMINIUM HOUSING (FOR BM MODEL)
- METAL STRAINER - STANDARD
- HARDWARE INCLUDES GASKET



FLANGE TYPE

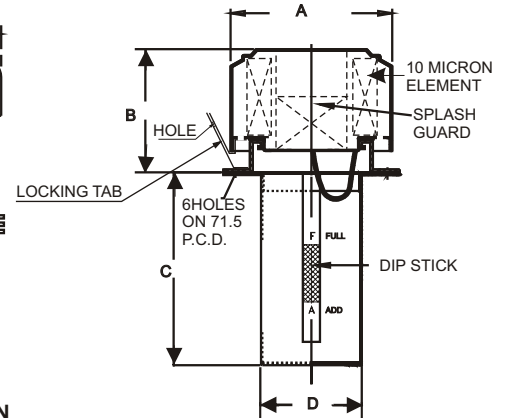


FLANGE TYPE HIGH NECK

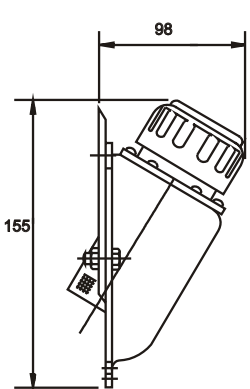


FSB-25 HN

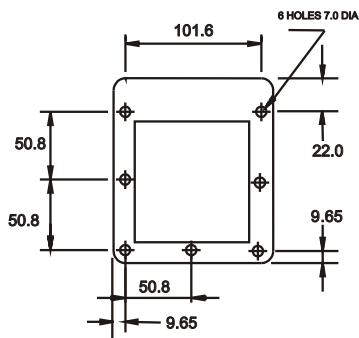
OPTIONAL FEATURES



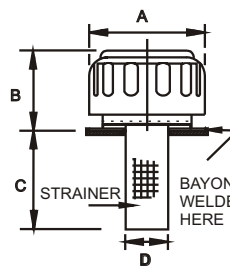
SIDE MOUNT



FSB - 25 BM

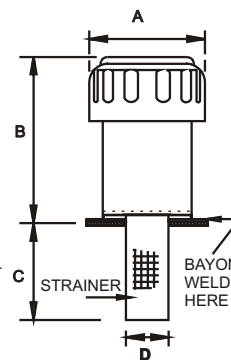


WELD TYPE



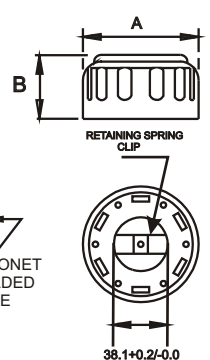
FSBW - 25

WELD TYPE HIGH NECK



FSBW - 25 HN

PUSH ON TYPE



PB-25

OPTIONAL / SPECIAL FEATURE (CONSULT FACTORY) - OMIT IF NOT REQUIRED

BREATHER



MODEL	DISPLACEMENT		RATING	A	B	C *	D	WT KGS
			MICRONS					
FSB - 05	150	LPM	40	45	49	65	28	0.10
FSB - 05 - 10	90	LPM	10					
FSB - 25	720	LPM	40	77	62	91	48	0.25
FSB - 25 - 10	400	LPM	10	77	62	91	48	0.25
FSBW - 25	720	LPM	40	77	62	91	30	0.25
FSB - 25-HN	720	LPM	40	77	122	91	48	0.40
FSBW - 25-HN	720	LPM	40	77	122	91	30	0.40
PB - 25	720	LPM	40	77	50	-	-	0.21

MODEL CODE : ASSEMBLY

FSB *	- 25	- * *	- BM	- **	- **
SERIES	CAPACITY CFM	FILTRATION μ MICRONS	FEATURE OPTIONAL (1)	STRAINER C * OPTIONAL(2)	FEATURE SPECIAL
FSB	05	40 μ - STD 10 μ - OPTIONAL		STD	DS - DIP STICK
FSB	25		BM - SIDE MOUNT	# L 4 - STD	LT - LOCKING TAB
FSBW			HN - HIGH NECK	L 6 - 152 mm L 8 - 203 mm	DS - DIP STICK SG - SPLASH GUARD

OPTIONAL / SPECIAL FEATURE (CONSULT FACTORY) - OMIT IF NOT REQUIRED