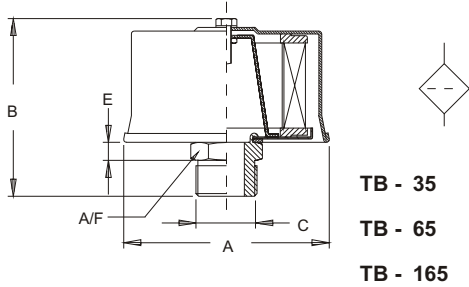
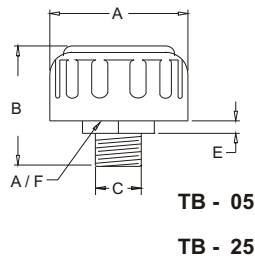


# BREATHER

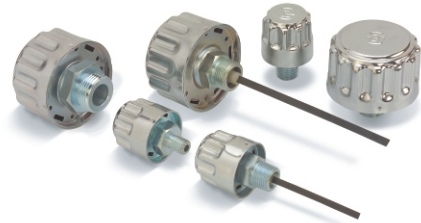
## THREADED TYPE



TB - 35  
TB - 65  
TB - 165

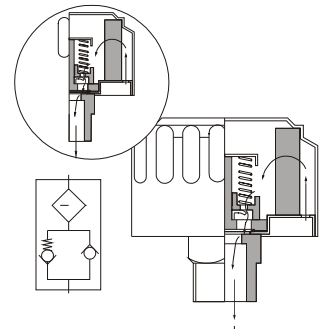


TB - 05  
TB - 25



MODEL	DISPLACEMENT		RATING MICRON	A	B	C STD IN BSPP	E	A / F	WT KGS
TB . 05 .	150	LPM	40						
TB . 05 . 10	90	LPM	10	45	63	1/4"	8	25	0.13
TB . 25 .	720	LPM	40	77	75	3/4"	10	30	0.25
TB . 25 . 10	400	LPM	10						
TB . 35 .	1000	LPM	10	110	138	1 - 1/2"	12	55	0.40
TB . 65 .	2000	LPM	10	145	145	2"	15	65	0.55
TB . 165 .	4000	LPM	10	185	195	2 - 1/2"	15	80	1.30

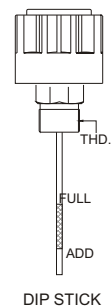
## P - FEATURE



- BUILT IN VALVE ASSEMBLY HELPS TO MAINTAIN PRESET PRESSURE ( 5 P S I ) IN THE TANK.
- ALLOWS FREE FLOW OF AIR INTO THE TANK IF PRESSURE FALLS BELOW ATMOSPHERIC.
- IF PRESSURE INSIDE TANK INCREASES VALVE RELEASES AT PRESET PRESSURE ( 5 P S I )
- DISPLACED AIR IS FILTERED & CLEAN

## MODEL CODE : ASSEMBLY

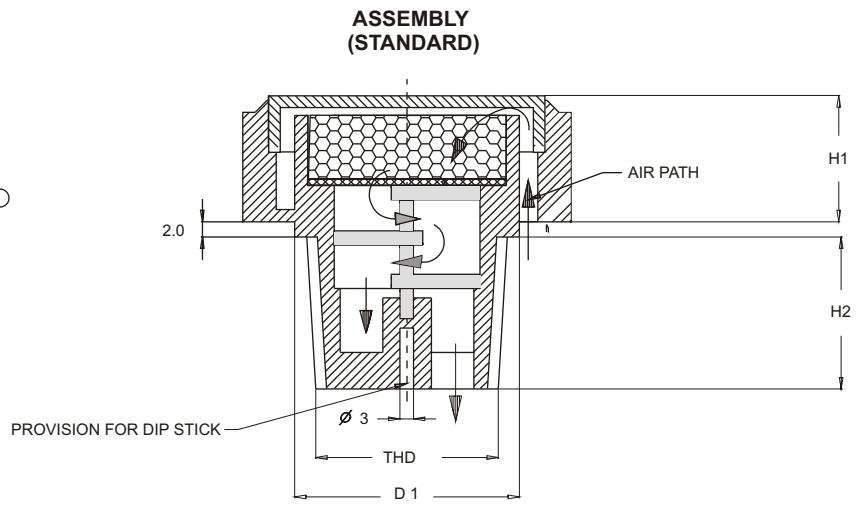
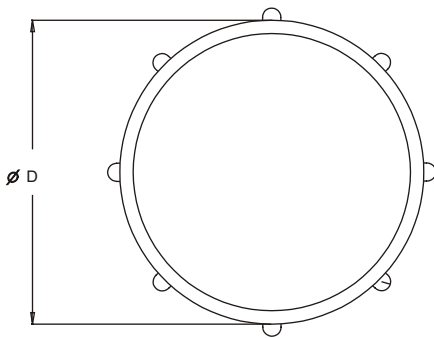
TB	- 05	- 10	- * * *	- P
SERIES	CAPACITY CFM	FILTRATION μ MICRONS	THREADS OPTIONAL #	FEATURE SPECIAL #
TB	05	40 μ - STD	03 - 3/8"	P - PRESSURISED ( 5 P S I ) SG - SPLASH GUARD
			04 - 1/2"	
	25	10 μ - OPTIONAL	08 - 1"	N - NPT DS - DIP STICK
			10 - 1-1/4"	
			165	



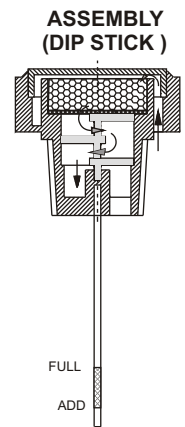
# OPTIONAL / SPECIAL FEATURE ( CONSULT FACTORY ) - OMIT IF NOT REQUIRED

# BREATHER - PLASTIC

- STURDY CONSTRUCTION ( A.B.S. )
- VENTS UNDERNEATH
- SPLASH GUARD STANDARD
- FILTRATION 40 MICRONS
- SUITABLE FOR MINIATURE POWER PACKS
- DIP STICK OPTIONAL



MODEL NO	D	D 1	H 1	H 2
ABP . 03 *	34.5	21.0	15.0	15.0
ABP . 04 *	40.0	26.0	16.0	20.0
ABP . 06 *	45.0	32.5	16.0	20.5
ABP . 08 *	50.0	37.0	20.0	25.0



ABP	- **	*	- **
SERIES	SIZE	THREAD	FEATURE
	INCH		OPTIONAL #
ABP	0 3 - 3/8"	N - NPT	DS - DIP STICK
	0 4 - 1/2"		
	0 6 - 3/4"	B - BSPP	
	0 8 - 1"		

OPTIONAL / SPECIAL FEATURE - OMIT IF NOT REQUIRED.

DIMENSIONS IN MM FOR REFERENCE ONLY