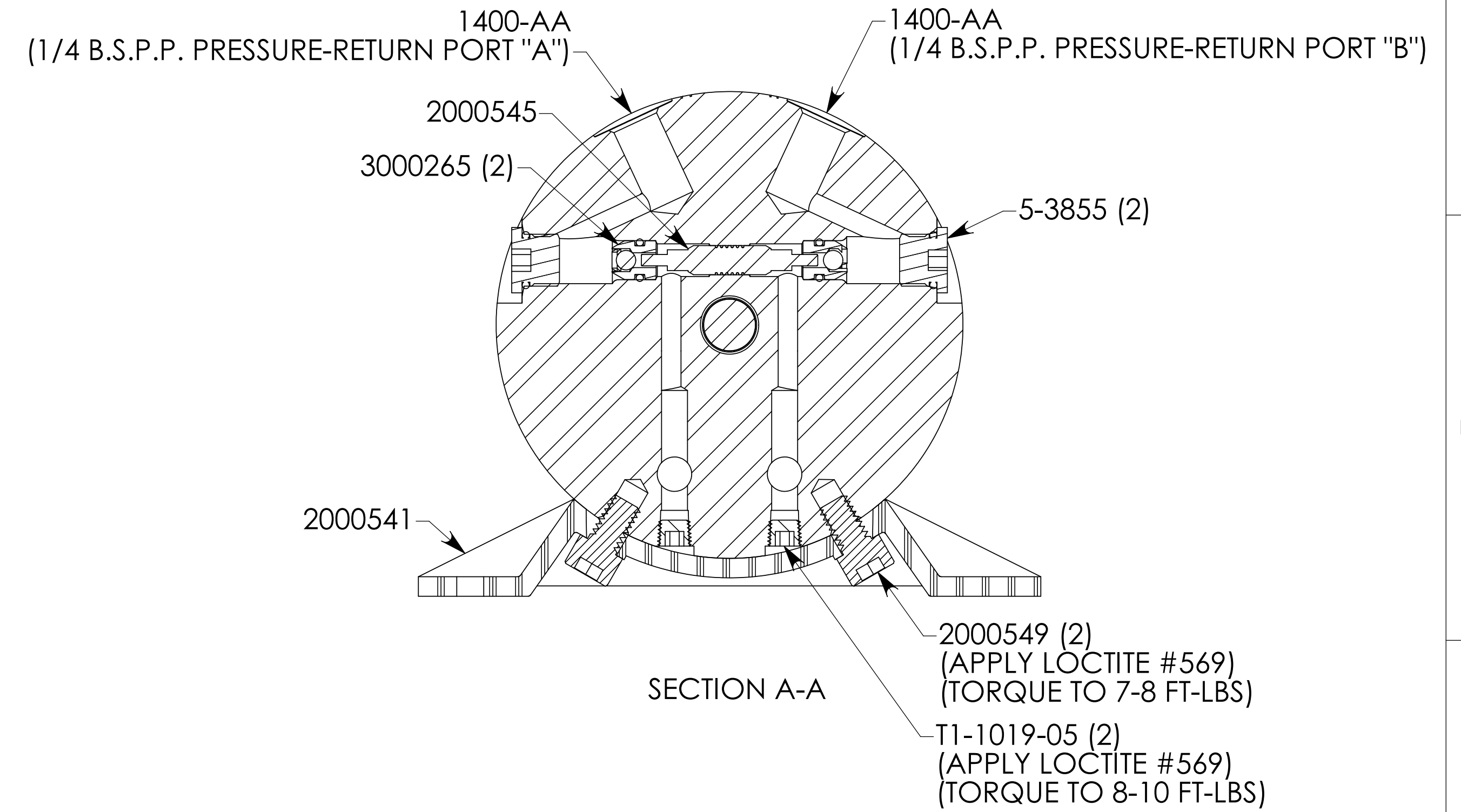
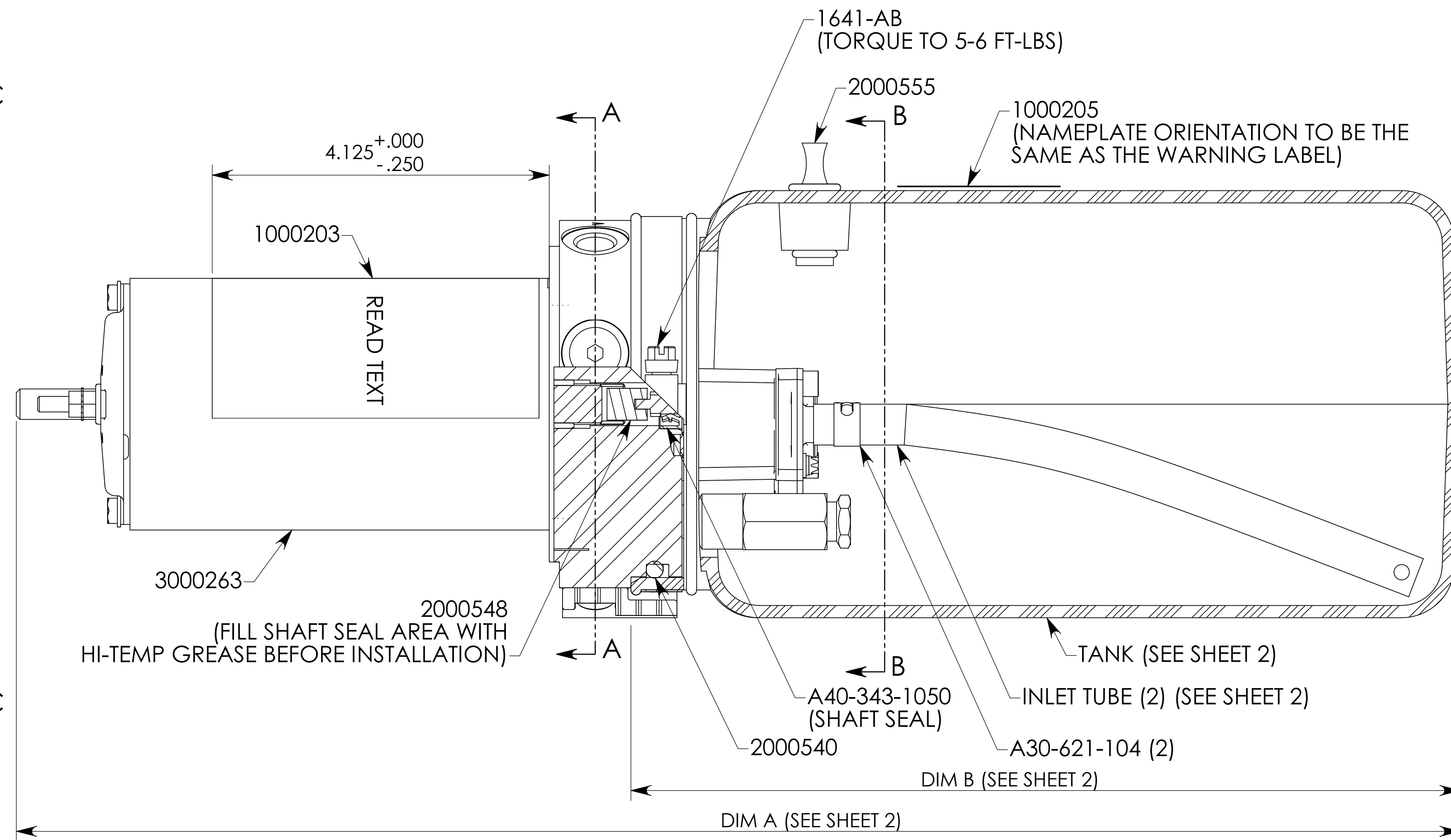


VIEW C-C



SECTION A-A



SUPPLIED MTG. BOLTS (2) (TORQUE TO 6-7 FT-LBS)

2000538
"RELIEF A" (SEE SHEET 2) (APPLY LOCTITE #592) (TORQUE TO 18-22 FT-LBS)

"RELIEF B" (SEE SHEET 2) (APPLY LOCTITE #592) (TORQUE TO 18-22 FT-LBS)

SECTION B-B

THIRD ANGLE PROJECTION	TOLERANCES UNLESS NOTED: ANGLES ± 1° 1 PLACE ± .000 2 PLACES ± .010 3 PLACES ± .005 4 PLACES ± .001 FINISH 125 MAX C/B .020	DRAWN BY: B. Peterson CHECKED BY: NPI TEAM MATERIAL: NA	DATE DRAWN: 12/14/2005 DATE CHECKED: 1/4/2006 ALT: NA MATERIAL: NA	FOR PART or OPER.:	SPX FLUID POWER Rockford, IL DRAWING NAME: DC Unit Smiths Reversible DRAWING NUMBER: SMRLB	TRACKING NUMBER: NP0503 SCALE: 1:1 SITE: D REV: 0 SHEET 1 of 2
------------------------	--	---	---	--------------------	--	--

