



GLOBE AIRMOTORS B.V.



GLOBE GEARED VANE AIR MOTORS

Worm and coaxial gears

The GLOBE geared vane air motors are of the vane type and available with a standard range of worm and coaxial gearboxes. They generate high torques and low speeds of rotation required in many applications. Power ranges up to 8,3 kW at 6 bar air pressure.

The motor and gearbox are directly mounted onto each other, making them compact and excellent resistant against outside influences. GLOBE geared vane air motors are designed for smooth operation and are commonly used in mixing equipment, conveyor belts, hoists and winches, hose reels and turntables.

GLOBE geared vane air motors have many advantages including:

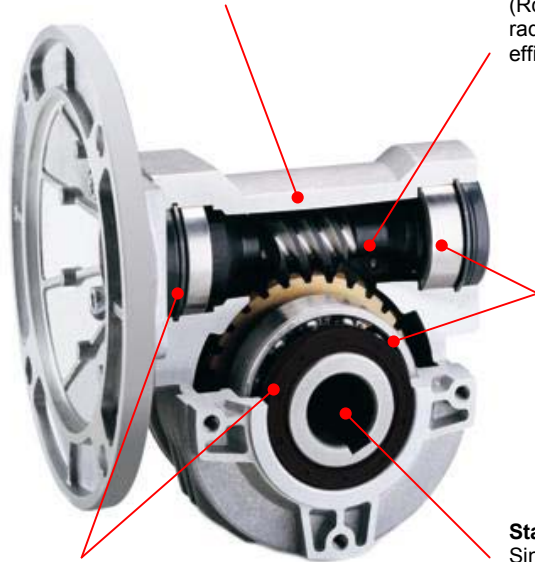
- Power up to 8,3 kW at 6 bar air pressure
- High nominal torques up to 1650 Nm
- Speed of rotation as low as 7 rpm
- Easily variable and controllable speed and torque
- Perfect for applications in hazardous and aggressive environments
- ATEX certification ATEX II cat. 2 G&D T5 on request
- No damage by overload or repeated starting
- Can be used in stall conditions
- Superior power to weight ratio
- Instantly reversible
- Minimum maintenance
- High radial and axial loads permitted



Features of the worm and coaxial gearboxes

Single-piece aluminium alloy housing
Combines light weight with high tensile strength.

Alloy steel worm shaft
High helix angle worm is case-hardened (Rc 58-60), ground, teeth are profiled and radiused, for noise reduction and enhanced efficiency.



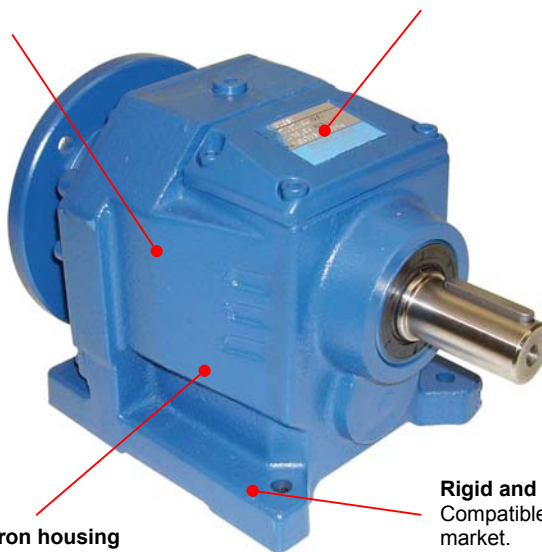
Oversized bearings
For high radial and axial shock load capacity. Ideal for frequent starting and reversing applications.

Premium, high temperature
Nitrile input and output seals.

Standard hollow output shaft mounting
Single and double solid output shaft is available.

Alloy steel gears
Hardened and ground gears for long life time and intensive use.

Removable inspection cover
Allows periodic inspection of gearing during routine maintenance.



Robust cast iron housing

Rigid and integrated foot prints
Compatible to the main standard of the market.



Performances GLOBE vane air motors with worm gears

Ordering code flange model	Ordering code foot model	i	Power* (KW)	Max. rpm**	Nominal torque* (Nm)	Min. starting torque (Nm)	Weight flange model (Kg)	Weight foot model (Kg)
-------------------------------	-----------------------------	---	----------------	---------------	----------------------------	------------------------------------	-----------------------------------	---------------------------------

GLOBE V4 + coaxial gear

VS4DW63FG7	VS4DW63BG7	7	1,3	430	30	20	11	12
VS4DW63FG15	VS4DW63BG15	15	1,3	200	61	35	11	12
VS4DW63FG30	VS4DW63BG30	30	1,2	100	110	53	11	12
VS4DW63FG45	VS4DW63BG45	45	1,1	65	155	67	11	12
VS4DW85FG67	VS4DW85BG67	67	1	45	210	80	17	19
VS4DW85FG74	VS4DW85BG74	74	0,9	40	220	83	17	19

GLOBE V6 + coaxial gear

VS6DW63FG7	VS6DW63BG7	7	2,7	430	60	40	17	18
VS6DW63FG15	VS6DW63BG15	15	2,6	200	120	70	17	18
VS6DW85FG28	VS6DW85BG28	28	2,5	105	220	110	23	25
VS6DW85FG46	VS6DW85BG46	46	2,3	65	330	160	23	25
VS6DW110FG64	VS6DW110BG64	64	2,3	47	460	195	39	44
VS6DW110FG84	VS6DW110BG84	84	2,2	35	575	220	39	44

GLOBE V8 + coaxial gear

VS8DW85FG7	VS8DW85BG7	7	4	430	90	75	24	26
VS8DW85FG14	VS8DW85BG14	14	3,9	215	175	125	24	26
VS8DW110FG30	VS8DW110BG30	30	3,7	100	350	200	40	45
VS8DW110FG45	VS8DW110BG45	45	3,6	65	515	295	40	45
VS8DW110FG64	VS8DW110BG64	64	3,3	47	690	365	40	45

GLOBE V10 + coaxial gear

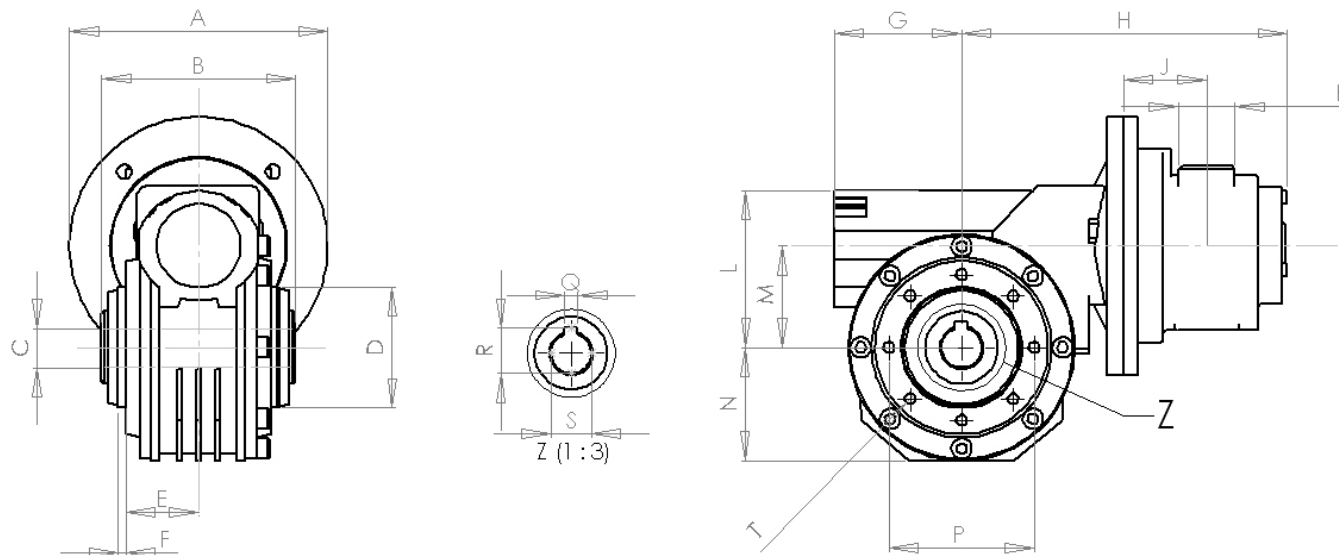
VS10DW85FG7	VS10DW85BG7	7	7,2	340	210	150	39	41
VS10DW110FG16	VS10DW110BG16	16	7	150	460	290	55	60
VS10DW110FG23	VS10DW110BG23	23	6,9	105	650	405	55	60

* Power and nominal torque at 6 bar and motor input speed of 3000 rpm (V4, V6, V8) and 2400 rpm (V10).

** In applications where the motor input speed exceeds 2200 rpm, only intermittent use is tolerated.



Dimensions GLOBE vane air motors with worm gears – flange model



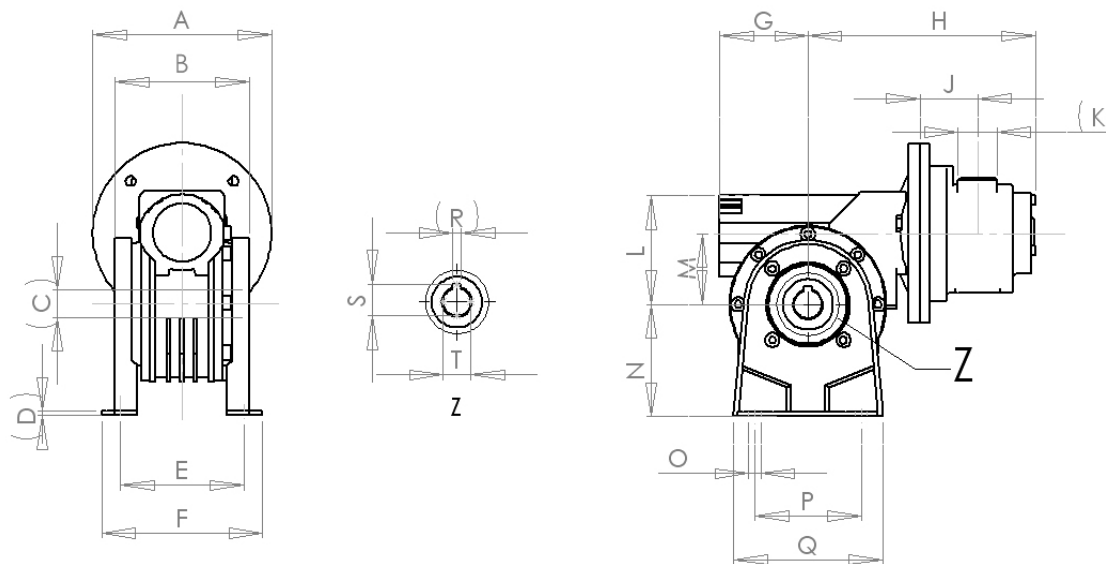
Ordering code	A	B	C	D	E	F	G	H	J	K	L	M	N	P	Q	R	S	T
VS4DW63FG7	160	120	25H8	75h8	45	5	79	203	55	G1/2"	100	63	70	90	8	28,3	25H8	8 x M8x17
VS4DW63FG15	160	120	25H8	75h8	45	5	79	203	55	G1/2"	100	63	70	90	8	28,3	25H8	8 x M8x17
VS4DW63FG30	160	120	25H8	75h8	45	5	79	203	55	G1/2"	100	63	70	90	8	28,3	25H8	8 x M8x17
VS4DW63FG45	160	120	25H8	75h8	45	5	79	203	55	G1/2"	100	63	70	90	8	28,3	25H8	8 x M8x17
VS4DW85FG67	160	135	35H8	110h8	64	3,5	98	227	55	G1/2"	138	85	94,5	130	10	38,3	35H8	4 x M10x18
VS4DW85FG74	160	135	35H8	110h8	64	3,5	98	227	55	G1/2"	138	85	94,5	130	10	38,3	35H8	4 x M10x18
VS6DW63FG7	200	120	25H8	75h8	45	5	79	252	78	G3/4"	100	63	70	90	8	28,3	25H8	8 x M8x17
VS6DW63FG15	200	120	25H8	75h8	45	5	79	252	78	G3/4"	100	63	70	90	8	28,3	25H8	8 x M8x17
VS6DW85FG28	200	135	35H8	110h8	64	3,5	98	276	78	G3/4"	138	85	94,5	130	10	38,3	35H8	4 x M10x18
VS6DW85FG46	200	135	35H8	110h8	64	3,5	98	276	78	G3/4"	138	85	94,5	130	10	38,3	35H8	4 x M10x18
VS6DW110FG64	200	155	42H8	130h8	74	3,5	118	296	78	G3/4"	163	110	116	165	12	45,3	42H8	8 x M12x30
VS6DW110FG84	200	155	42H8	130h8	74	3,5	118	296	78	G3/4"	163	110	116	165	12	45,3	42H8	8 x M12x30
VS8DW85FG7	200	135	35H8	110h8	64	3,5	98	279	84	G1"	138	85	94,5	130	10	38,3	35H8	4 x M10x18
VS8DW85FG14	200	135	35H8	110h8	64	3,5	98	279	84	G1"	138	85	94,5	130	10	38,3	35H8	4 x M10x18
VS8DW110FG30	200	155	42H8	130h8	74	3,5	118	299	84	G1"	163	110	116	165	12	45,3	42H8	8 x M12x30
VS8DW110FG45	200	155	42H8	130h8	74	3,5	118	299	84	G1"	163	110	116	165	12	45,3	42H8	8 x M12x30
VS8DW110FG64	200	155	42H8	130h8	74	3,5	118	299	84	G1"	163	110	116	165	12	45,3	42H8	8 x M12x30
VS10DW85FG7	250	135	35H8	110h8	64	3,5	98	349	126	G1 1/4"	138	85	94,5	130	10	38,3	35H8	4 x M10x18
VS10DW110FG16	250	155	42H8	130h8	74	3,5	118	369	126	G1 1/4"	163	110	116	165	12	45,3	42H8	8 x M12x30
VS10DW110FG23	250	155	42H8	130h8	74	3,5	118	369	126	G1 1/4"	163	110	116	165	12	45,3	42H8	8 x M12x30



GLOBE Geared vane air motors
Worm and coaxial gears

Phone: +31 – 172 –426608
 Fax: +31 – 172 426607
 Website: www.globe-benelux.nl
 e-mail: info@globe-benelux.nl

Dimensions GLOBE vane air motors with worm gears – foot model

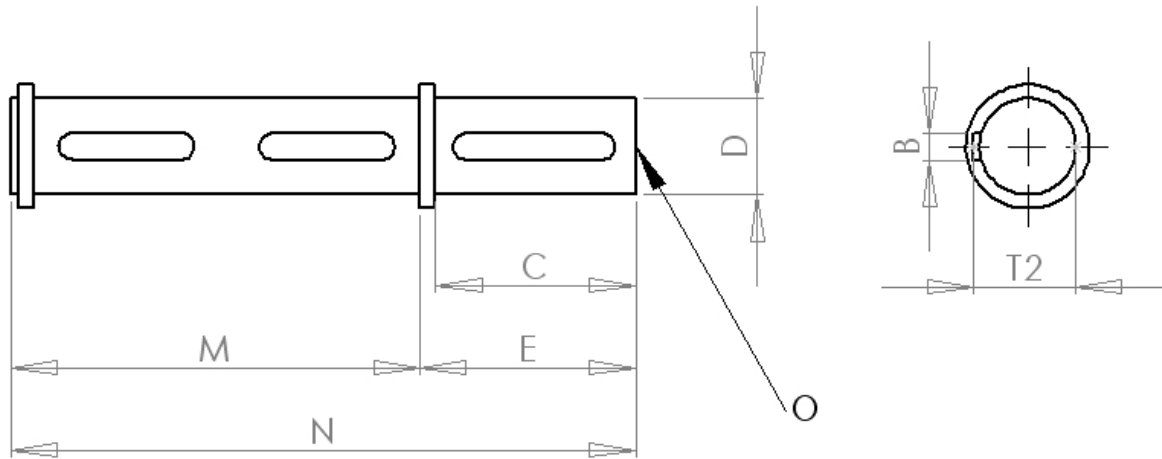


Ordering Code	A	B	C	D	E	F	G	H	J	K	L	M	O	N	P	Q	R	S	T
VS4DW63BG7	160	120	25H8	4	110	144	79	203	55	G1/2"	100	63	100	10,5	95	133	8	28,3	25H8
VS4DW63BG15	160	120	25H8	4	110	144	79	203	55	G1/2"	100	63	100	10,5	95	133	8	28,3	25H8
VS4DW63BG30	160	120	25H8	4	110	144	79	203	55	G1/2"	100	63	100	10,5	95	133	8	28,3	25H8
VS4DW63BG45	160	120	25H8	4	110	144	79	203	55	G1/2"	100	63	100	10,5	95	133	8	28,3	25H8
VS4DW85BG67	160	135	35H8	5	145	182	98	227	55	G1/2"	138	85	142	10,5	140	180	10	38,3	35H8
VS4DW85BG74	160	135	35H8	5	145	182	98	227	55	G1/2"	138	85	142	10,5	140	180	10	38,3	35H8
VS6DW63BG7	200	120	25H8	4	110	144	79	252	78	G3/4"	100	63	100	10,5	95	133	8	28,3	25H8
VS6DW63BG15	200	120	25H8	4	110	144	79	252	78	G3/4"	100	63	100	10,5	95	133	8	28,3	25H8
VS6DW85BG28	200	135	35H8	5	145	182	98	276	78	G3/4"	138	85	142	10,5	140	180	10	38,3	35H8
VS6DW85BG46	200	135	35H8	5	145	182	98	276	78	G3/4"	138	85	142	10,5	140	180	10	38,3	35H8
VS6DW110BG64	200	155	42H8	22	180	224	118	296	78	G3/4"	163	110	170	13	200	240	12	45,3	42H8
VS6DW110BG84	200	155	42H8	22	180	224	118	296	78	G3/4"	163	110	170	13	200	240	12	45,3	42H8
VS8DW85BG7	200	135	35H8	5	145	182	98	279	84	G1"	138	85	142	10,5	140	180	10	38,3	35H8
VS8DW85BG14	200	135	35H8	5	145	182	98	279	84	G1"	138	85	142	10,5	140	180	10	38,3	35H8
VS8DW110BG30	200	155	42H8	22	180	224	118	299	84	G1"	138	85	142	10,5	140	180	10	38,3	35H8
VS8DW110BG45	200	155	42H8	22	180	224	118	299	84	G1"	138	85	142	10,5	140	180	10	38,3	35H8
VS8DW110BG64	200	155	42H8	22	180	224	118	299	84	G1"	138	85	142	10,5	140	180	10	38,3	35H8
VS10DW85BG7	250	135	35H8	5	145	182	98	349	126	G1¼"	138	85	142	10,5	140	180	10	38,3	35H8
VS10DW110BG16	250	155	42H8	22	180	224	118	369	126	G1¼"	163	110	170	13	200	240	12	45,3	42H8
VS10DW110BG23	250	155	42H8	22	180	224	118	369	126	G1¼"	163	110	170	13	200	240	12	45,3	42H8



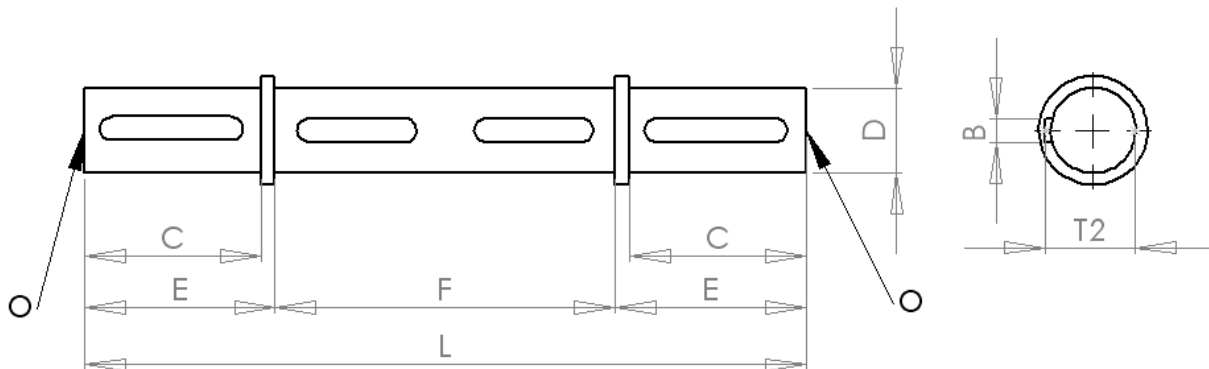
Dimensions output shaft for worm gears (optional)

Single output shaft



Size gearbox	B	C	D	E	M	N	O	T ₂
063	8	60	25	63	127	190	M8x20	28,3
085	10	60	35	73,5	140	214	M10x23	38,3
110	12	75	42	96,5	163,5	260	M12x32	45,3

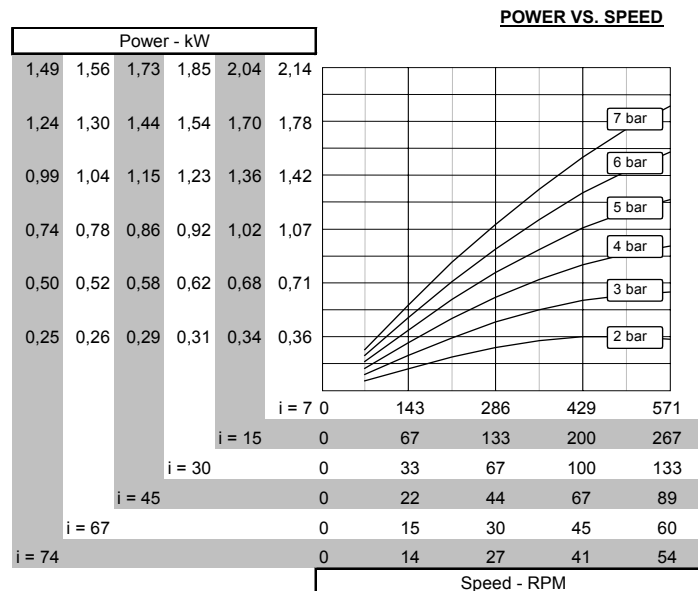
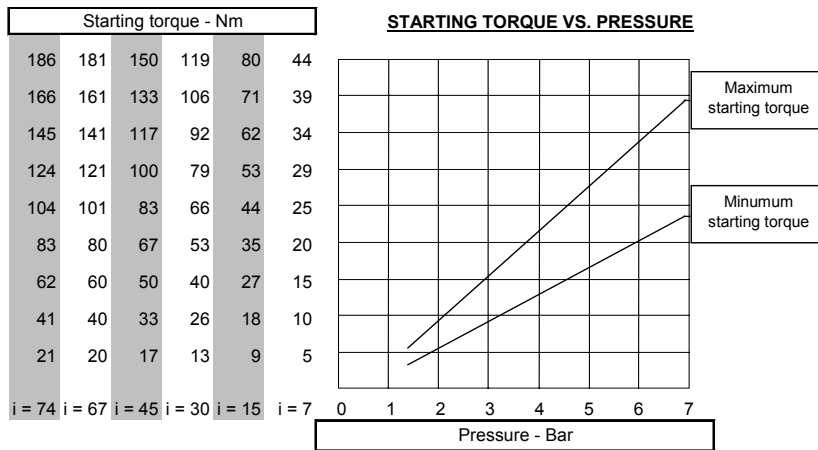
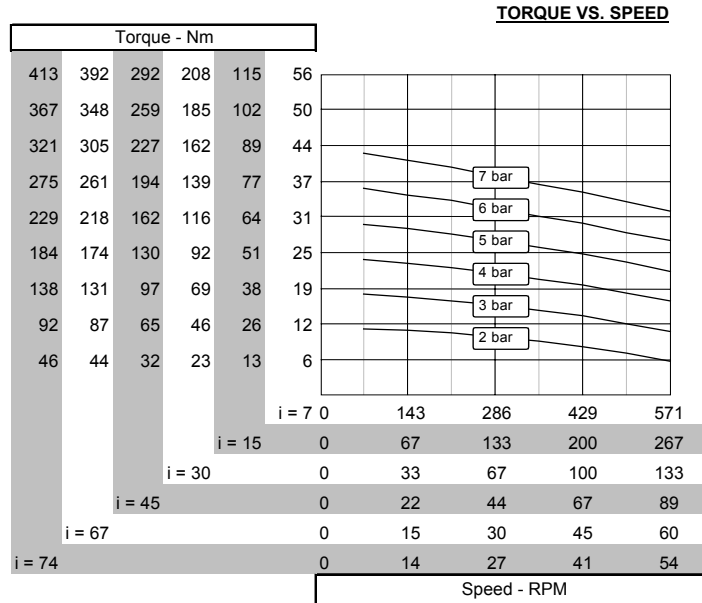
Double output shaft



Size gearbox	B	C	D	E	F	L	O	T ₂
063	8	60	25	63	120	246,4	M8x20	28,3
085	10	60	35	73,5	135	282	M10x23	38,3
110	12	75	42	96,5	155	348	M12x32	45,3

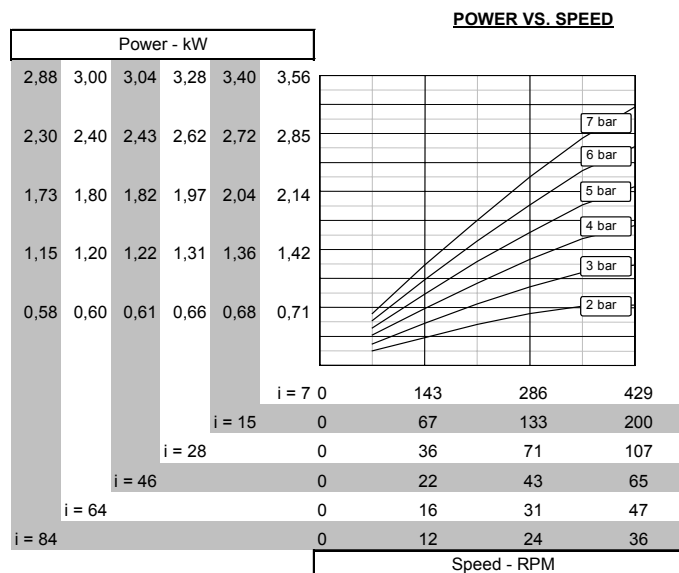
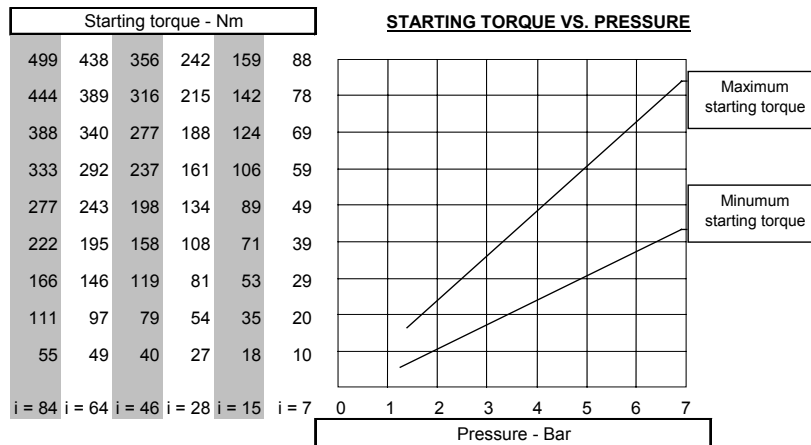
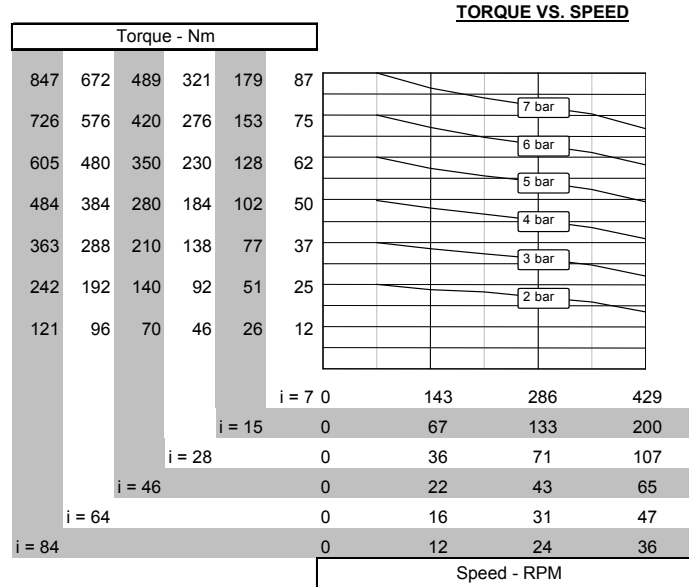


Performances GLOBE VS4C air motor with worm gear



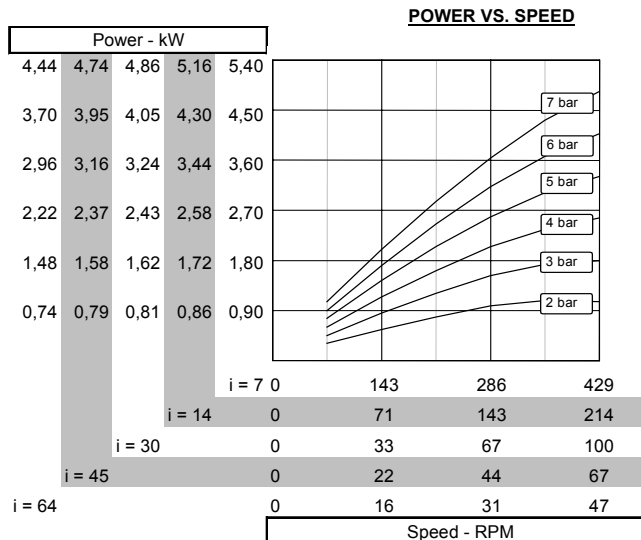
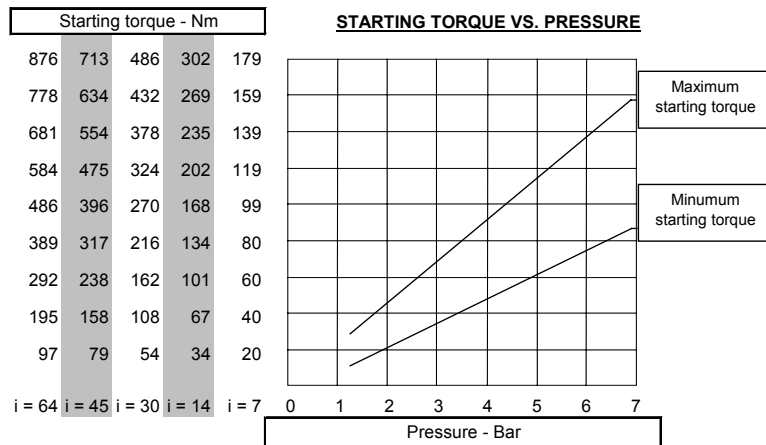
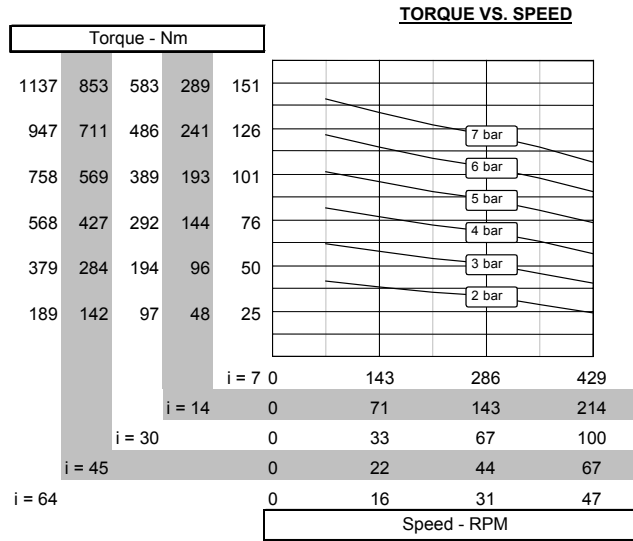


Performances GLOBE VS6C air motor with worm gear



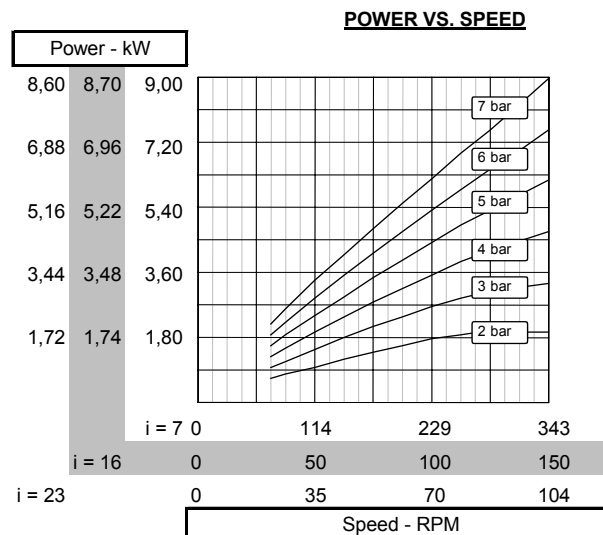
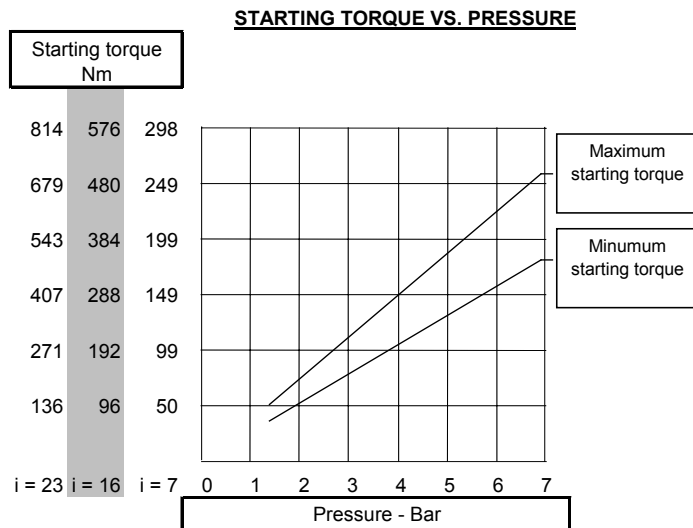
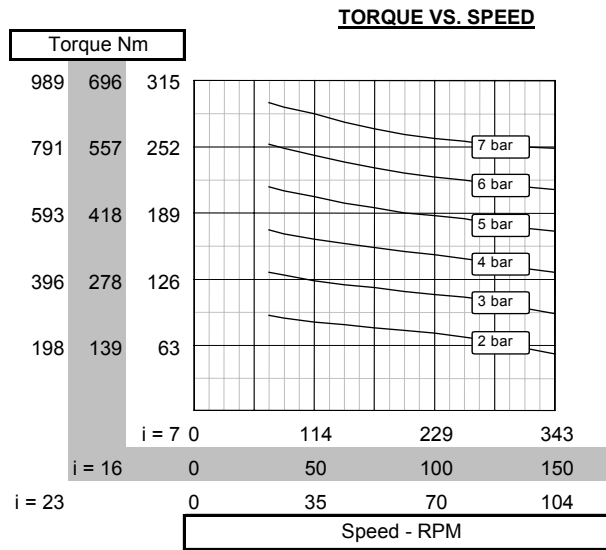


Performances GLOBE VS8C air motor with worm gear





Performances GLOBE VS10C air motor with worm gear





Performance GLOBE vane air motors with coaxial gears

Ordering code flange model	Ordering code foot model	i	Power* (KW)	Max. rpm**	Nominal torque* (Nm)	Min. starting torque (Nm)	Weight flange model (Kg)	Weight foot model (Kg)
-------------------------------	-----------------------------	---	----------------	---------------	----------------------------	------------------------------------	-----------------------------------	---------------------------------

GLOBE V4 + coaxial gear

VS4DC402FG10	VS4DC402BG10	10	1,5	300	48	42	15	15
VS4DC402FG22	VS4DC402BG22	22	1,5	136	106	92	15	15
VS4DC402FG29	VS4DC402BG29	29	1,5	103	139	122	15	15
VS4DC402FG38	VS4DC402BG38	38	1,5	79	182	160	15	15
VS4DC402FG51	VS4DC402BG51	51	1,5	59	245	214	15	15

GLOBE V6 + coaxial gear

VS6DC402FG10	VS6DC402BG10	10	2,9	300	92	75	21	21
VS6DC402FG22	VS6DC402BG22	22	2,9	136	202	165	21	21
VS6DC602FG29	VS6DC602BG29	29	2,9	103	267	218	34	33
VS6DC602FG40	VS6DC602BG40	40	2,9	75	368	300	34	33
VS6DC253FG50	VS6DC253BG50	50	2,9	60	460	375	50	48

GLOBE V8 + coaxial gear

VS8DC402FG10	VS8DC402BG10	10	4,5	300	145	150	23	22
VS8DC602FG20	VS8DC602BG20	20	4,5	150	290	300	36	34
VS8DC025FG30	VS8DC025BG30	30	4,5	100	435	450	50	48
VS8DC253FG43	VS8DC253BG43	43	4,5	70	624	645	52	49
VS8DC263FG49	VS8DC263BG49	49	4,5	61	711	735	67	64

GLOBE V10 + coaxial gear

VS10DC602FG9	VS10DC602BG9	9	8,3	267	297	270	50	48
VS10DC025FG21	VS10DC025FG21	21	8,3	114	693	630	67	63
VS10DC026FG28	VS10DC026FG28	28	8,3	86	924	840	93	88
VS10DC273FG41	VS10DC273FG41	41	8,3	58	1353	1230	136	127
VS10DC273FG50	VS10DC273FG50	50	8,3	48	1650	1500	136	127

* Power and nominal torque at 6 bar and motor input speed of 3000 rpm (V4, V6, V8) and 2400 rpm (V10).

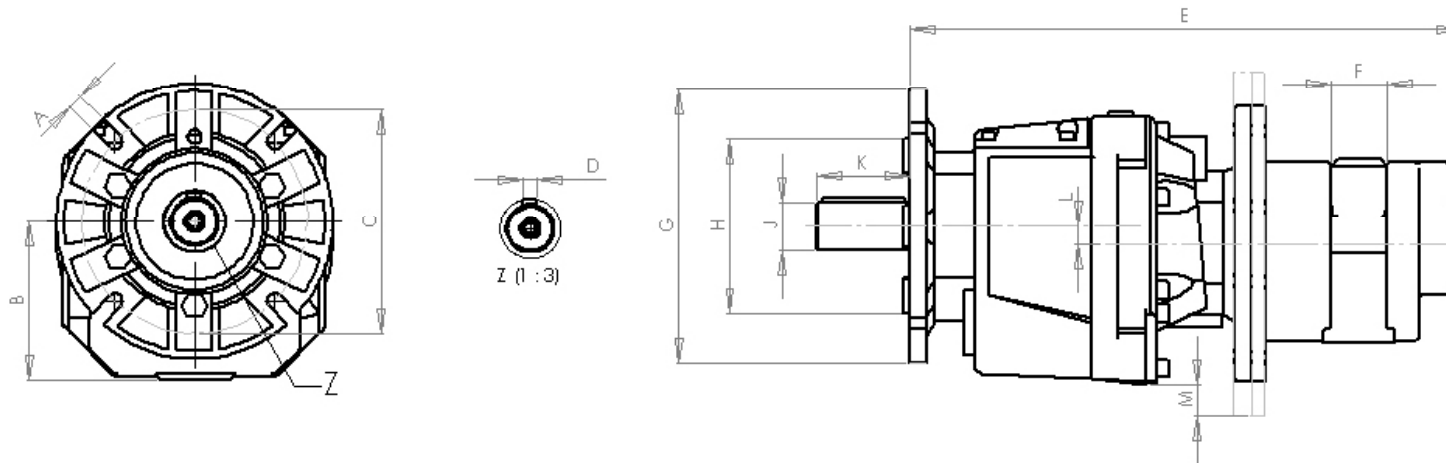
** In applications where the motor input speed exceeds 2200 rpm, only intermittent use is tolerated.



GLOBE Geared vane air motors
Worm and coaxial gears

Phone: +31 – 172 –426608
 Fax: +31 – 172 426607
 Website: www.globe-benelux.nl
 e-mail: info@globe-benelux.nl

Dimensions GLOBE vane air motors with coaxial gears – flange model



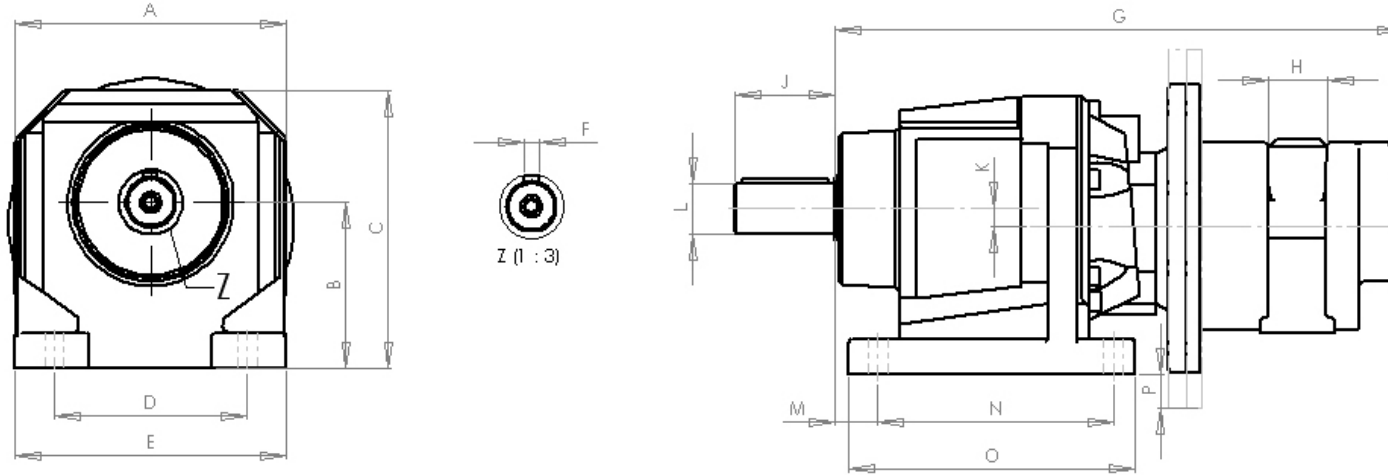
Ordering code	A	B	C	D	E	F	G	H	J	K	L	M
VS4DC402FG10	11	90	165	8	298	G1/2"	200	130	Ø25	50	10	≤0
VS4DC402FG22	11	90	165	8	298	G1/2"	200	130	Ø25	50	10	≤0
VS4DC402FG29	11	90	165	8	298	G1/2"	200	130	Ø25	50	10	≤0
VS4DC402FG38	11	90	165	8	298	G1/2"	200	130	Ø25	50	10	≤0
VS4DC402FG51	11	90	165	8	298	G1/2"	200	130	Ø25	50	10	≤0
VS6DC402FG10	11	90	165	8	347	G3/4"	200	130	Ø25	50	10	20
VS6DC402FG22	11	90	165	8	347	G3/4"	200	130	Ø25	50	10	20
VS6DC602FG29	14	115	215	10	375	G3/4"	250	180	Ø30	60	13	≤0
VS6DC602FG40	14	115	215	10	375	G3/4"	250	180	Ø30	60	13	≤0
VS6DC253FG50	14	161	215	12	472	G3/4"	250	180	Ø40	75	-	≤0
VS8DC402FG10	11	90	165	8	350	G1"	200	130	Ø25	50	10	≤0
VS8DC602FG20	14	115	215	10	378	G1"	250	180	Ø30	60	13	≤0
VS8DC025FG30	14	161	215	12	442	G1"	250	180	Ø40	75	-	≤0
VS8DC253FG43	14	161	215	12	475	G1"	250	180	Ø40	75	-	≤0
VS8DC263FG49	14	175	265	14	507	G1"	300	230	Ø50	90	-	≤0
VS10DC602FG9	14	115	215	10	448	G1½"	250	180	Ø30	60	13	23
VS10DC025FG21	14	161	215	12	512	G1¼"	250	180	Ø40	75	-	≤0
VS10DC026FG28	14	175	265	14	581	G1¼"	300	230	Ø50	90	-	≤0
VS10DC273FG41	18	224	300	18	626	G1½"	350	250	Ø60	105	-	≤0
VS10DC273FG50	18	224	300	18	626	G1½"	350	250	Ø60	105	-	≤0



GLOBE Geared vane air motors
Worm and coaxial gears

Phone: +31 – 172 –426608
 Fax: +31 – 172 426607
 Website: www.globe-benelux.nl
 e-mail: info@globe-benelux.nl

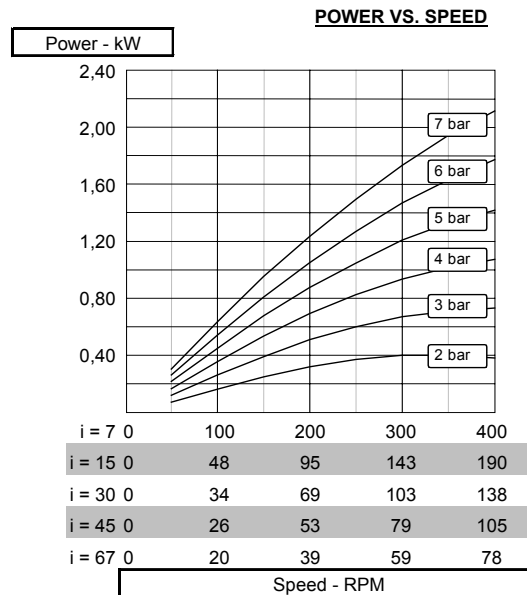
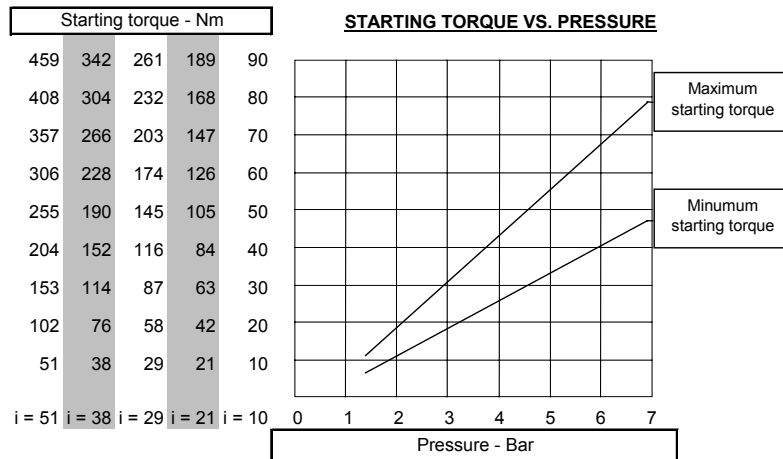
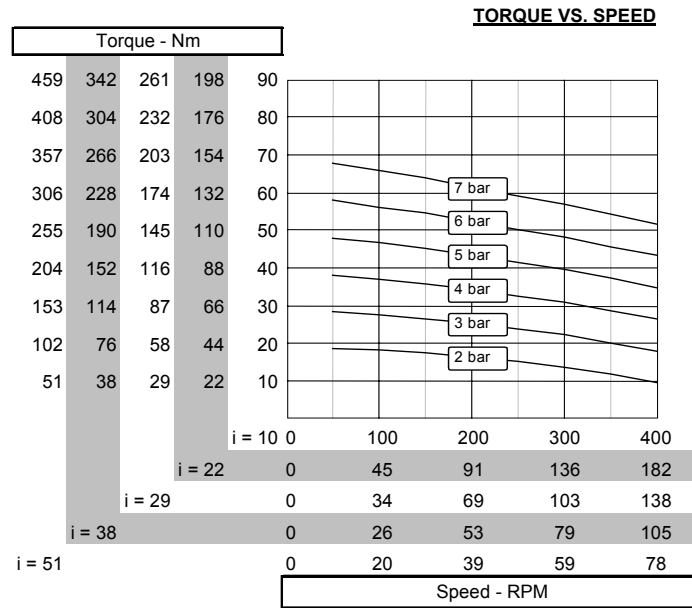
Dimensions GLOBE vane air motors with coaxial gears – foot model



Motor + gear size	A	B	C	D	E	F	G	H	J	K	L	M	N	O	P
VS4DC402BG10	150	90	154	110	145	8	285,5	G1/2"	50	10	Ø25	25	130	155	≤0
VS4DC402BG22	150	90	154	110	145	8	285,5	G1/2"	50	10	Ø25	25	130	155	≤0
VS4DC402BG29	150	90	154	110	145	8	285,5	G1/2"	50	10	Ø25	25	130	155	≤0
VS4DC402BG38	150	90	154	110	145	8	285,5	G1/2"	50	10	Ø25	25	130	155	≤0
VS4DC402BG51	150	90	154	110	145	8	285,5	G1/2"	50	10	Ø25	25	130	155	≤0
VS6DC402BG10	150	90	154	110	145	8	334,5	G3/4"	50	10	Ø25	25	130	155	20
VS6DC402BG22	150	90	154	110	145	8	334,5	G3/4"	50	10	Ø25	25	130	155	20
VS6DC602BG29	190	115	194	135	190	10	354,5	G3/4"	60	13	Ø30	30	165	200	≤0
VS6DC602BG40	190	115	194	135	190	10	354,5	G3/4"	60	13	Ø30	30	165	200	≤0
VS6DC253BG50	225	160	260	170	225	12	472	G3/4"	75	-	Ø40	35	175	215	≤0
VS8DC402BG10	150	90	154	110	145	8	337,5	G1"	50	10	Ø25	25	130	155	≤0
VS8DC602BG20	190	115	194	135	190	10	357,5	G1"	60	13	Ø30	30	165	200	≤0
VS8DC025BG30	225	160	260	170	225	12	442	G1"	75	-	Ø40	35	175	215	≤0
VS8DC253BG43	225	160	260	170	225	12	475	G1"	75	-	Ø40	35	175	215	≤0
VS8DC263BG49	275	175	300	215	275	14	507	G1"	90	-	Ø50	40	215	260	≤0
VS10DC602BG9	190	115	194	135	190	10	427,5	G1¼"	60	13	Ø30	30	165	200	23
VS10DC025FG21	225	160	260	170	225	12	512	G1¼"	75	-	Ø40	35	175	215	≤0
VS10DC026FG28	275	175	300	215	275	14	581	G1¼"	90	-	Ø50	40	215	260	≤0
VS10DC273FG41	330	225	375	250	330	18	626	G1¼"	105	-	Ø60	40	245	300	≤0
VS10DC273FG50	330	225	375	250	330	18	626	G1¼"	105	-	Ø60	40	245	300	≤0

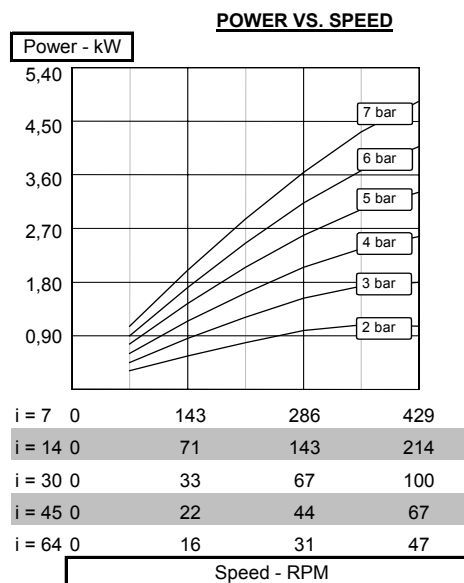
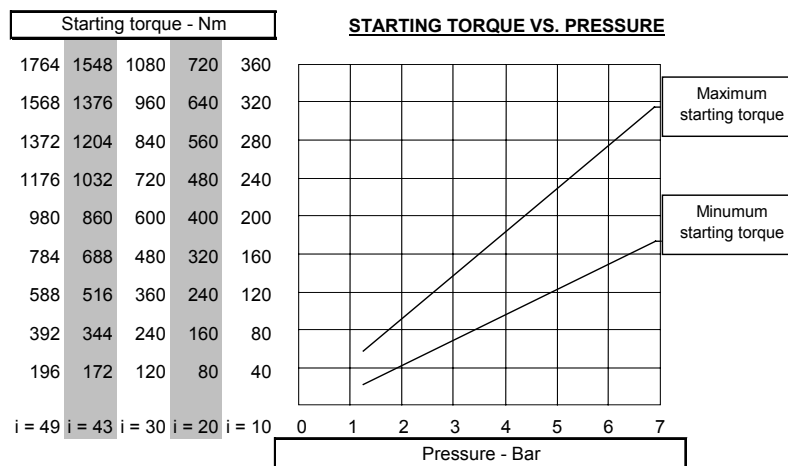
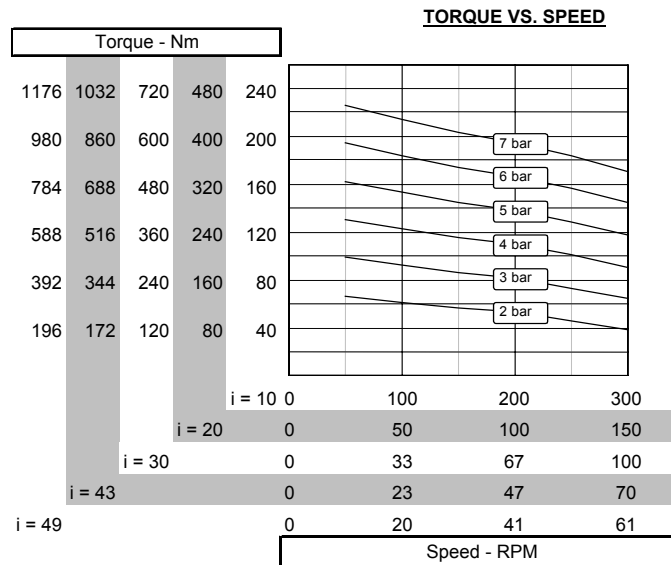


Performances GLOBE VS4C air motor with coaxial gear



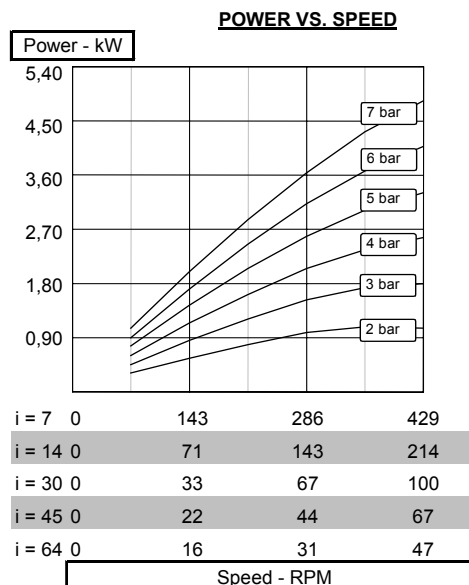
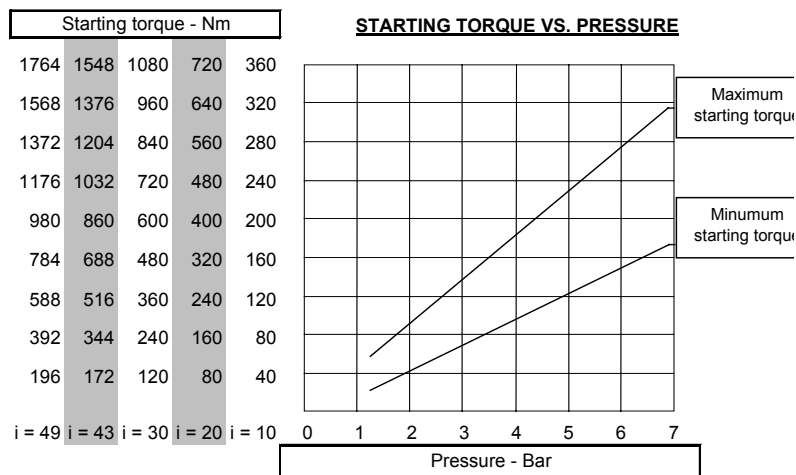
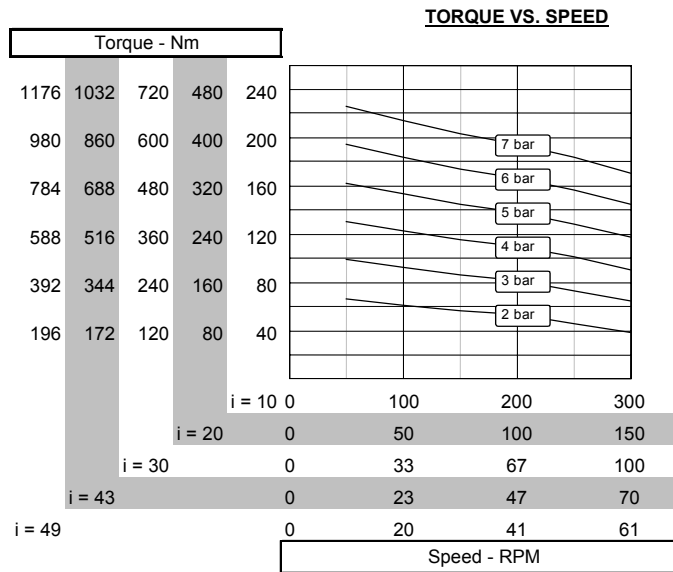


Performances GLOBE VS6C air motor with coaxial gear



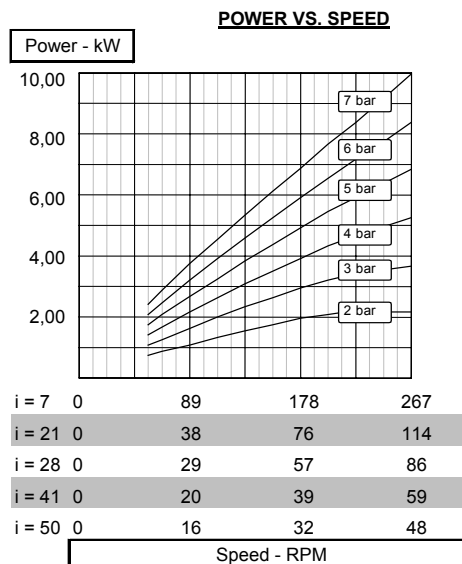
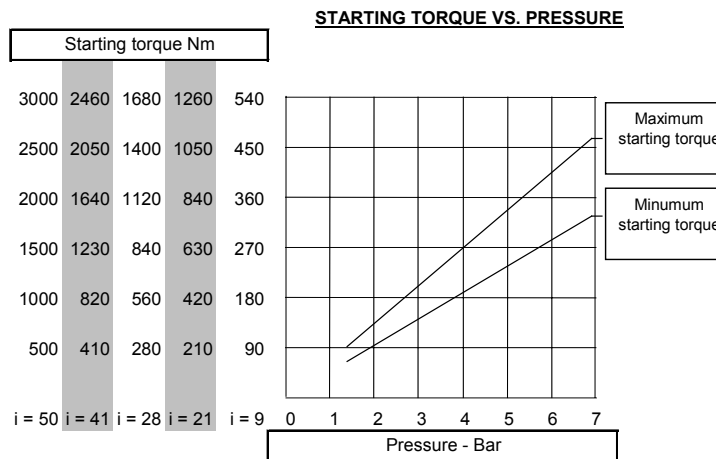
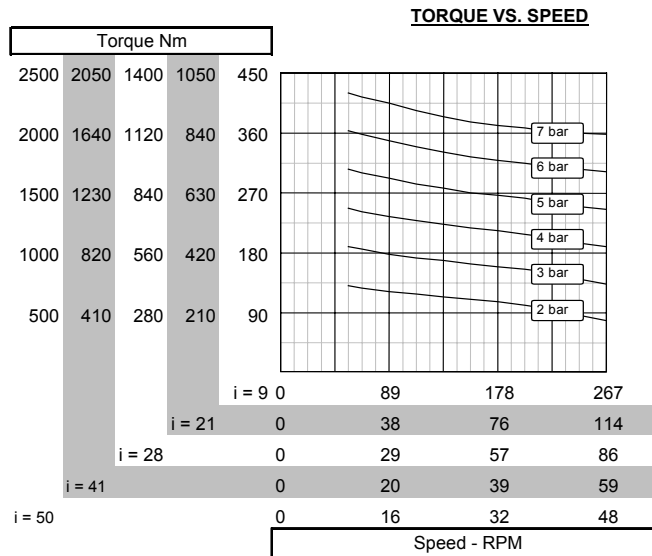


Performances GLOBE VS8C air motor with coaxial gear





Performances GLOBE VS10C air motor with coaxial gear





Recommended gearbox lubricants

ISO VG		Synthetic oil			Mineral oil			
		460	220 320	150	680	460	320	220
Ambient temperature (°C)		- 15° to 100°	- 25° to 80°	- 30° to 70°	5° to 50°	5° to 45°	0° to 40°	0° to 35°
Manufacturer	AGIP	-	Telium VSF 320	Telium VSF 150	Blasia 680	Blasia 460	Blasia 320	Blasia 220
	BP	Energol SGXP 460	Energol SGXP 220	Energol SGXP 150	Energol GRXP 680	Energol GRXP 460	Energol GRXP 320	Energol GRXP 220
	ESSO	-	-	-	Spartan EP 680	Spartan EP 460	Spartan EP 320	Spartan EP 220
	SHELL	Tivela Oil SD	Tivela Oil WB	-	Omala Oil 680	Omala Oil 460	Omala Oil 320	Omala Oil 220
	KLÜBER	Syntheso D460 EP	Syntheso D220 EP	Syntheso D150 EP	Lamora 680	Lamora 460	Lamora 320	Lamora 220
	MOBIL	Glygoyle HE 460	Glygoyle 30	Glygoyle 22	Mobilgear 636	Mobilgear 636	Mobilgear 632	Mobilgear 630